

EZ EXTEND CIRCLE 5 DISPLAY

EZ EXTEND DISPLAYS

PRODUCT CODE: EZ-EC60X72



PRODUCT DESCRIPTION

Introducing Round EZ Extend Displays! Score big attention with this simple hoop frame covered in stunning custom graphics. Signature lightweight aluminum snap tubes connect together. Single- or double-sided fabric pillowcase graphic easily zips taut. Steel base provides stability. Available in 3', 5' and 7' diameters.

DISPLAY DIMENSIONS	59.75"W x 72.375"H x 10"D
GRAPHIC SIZE	59.75"W x 59.75"H

GRAPHIC MATERIAL

Dye-Sublimated Stretch Fabric

GRAPHIC FINISHING

Pillowcase finishing and zipper sewn across top

DISPLAY CONSTRUCTION

Aluminum frame and steel base

SHIPPING WEIGHTS & DIMENSIONS

Shipping Weight	20 lbs (stand only) 21 lbs (frame and graphic)
Shipping Dimensions	48.5"L x 13"W x 5"H

LARGE QUANTITY FREIGHT

Freight Shipping	36 boxes per 48"L x 40"W x 70"H skid
Freight Weight	765 lbs (frame only) 801 lbs (frame & graphic)

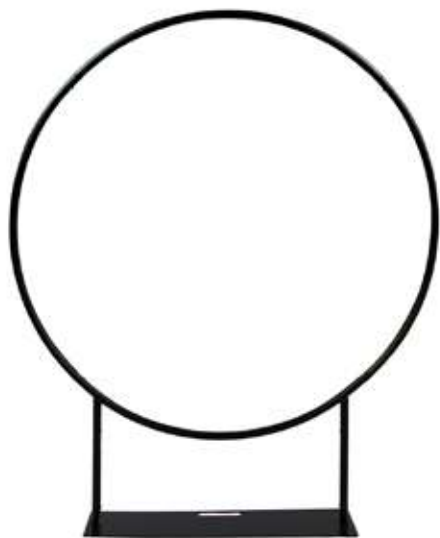
GRAPHIC TURN AROUND TIME

2 business days after proof approval

AVAILABLE ACCESSORIES

EZ Tube LED Lights (Black or Silver)

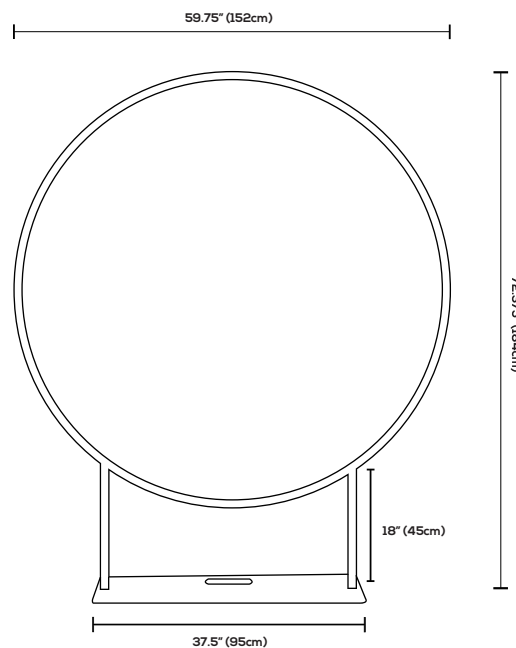
AVAILABILITY	CA and PA
--------------	-----------



*EZ Tube LED Light
(Black and Silver available)



Welded frame design
(bottom support)

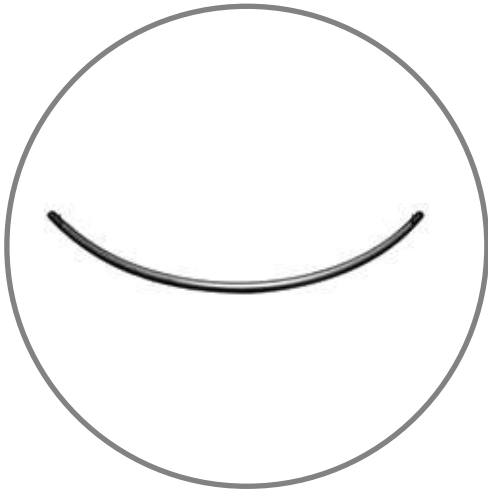


EZ EXTEND CIRCLE 5 DISPLAY

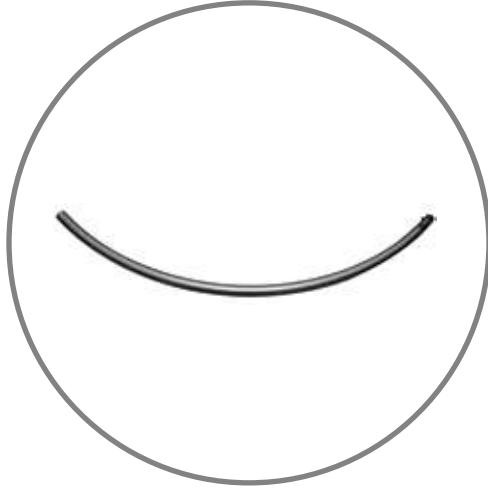
EZ EXTEND DISPLAYS

PRODUCT CODE: EZ-EC60X72

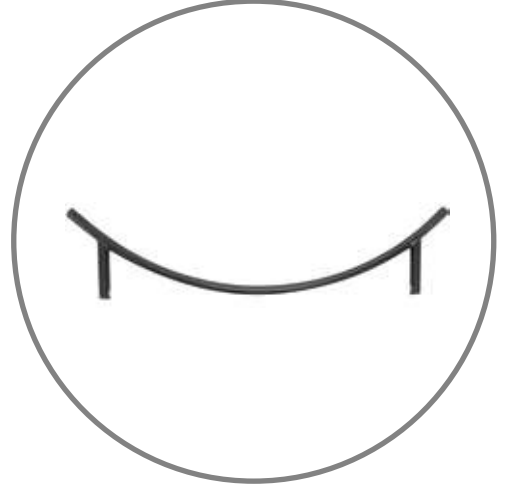
PARTS LIST



Qty.1 Male/Male Tube



Qty.2 Male/Female Tube



Qty.1 Bottom Support Tube



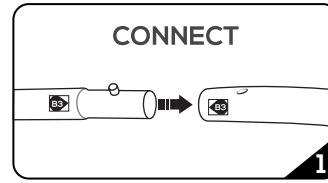
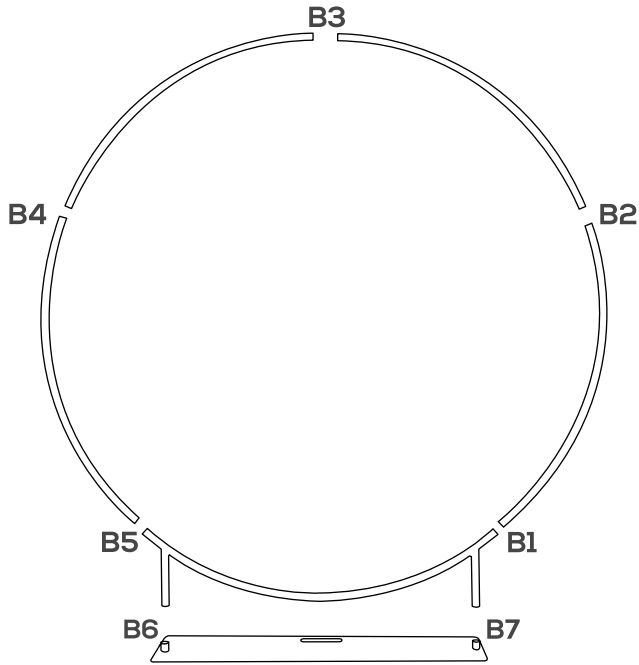
Qty.1 Base



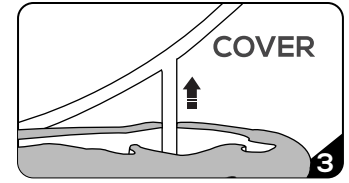
Qty.2 Base Legs

EZ EXTEND CIRCLE DISPLAY INSTRUCTIONS

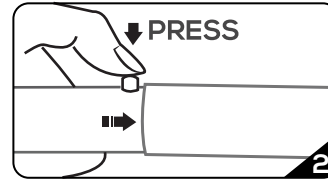
The following instructions are compatible with all shapes and sizes of Round EZ Extend frames.



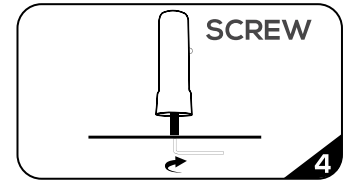
Connect numbered tubes together.



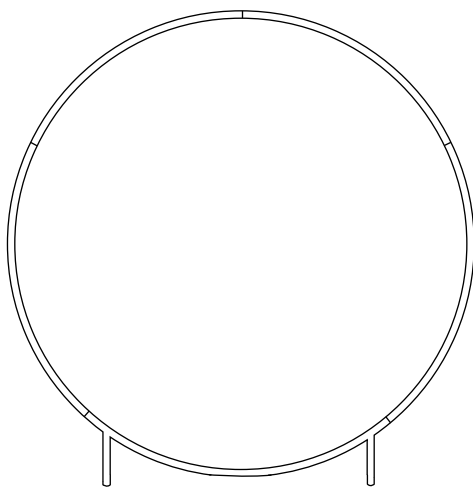
Pull graphic up from bottom of frame and close zippers.



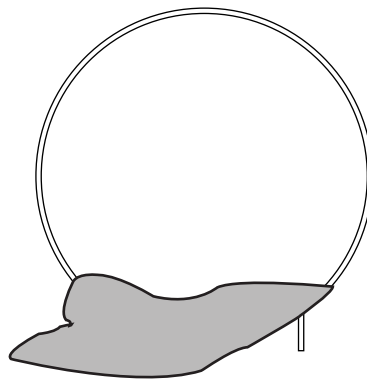
Push button down and insert tube.



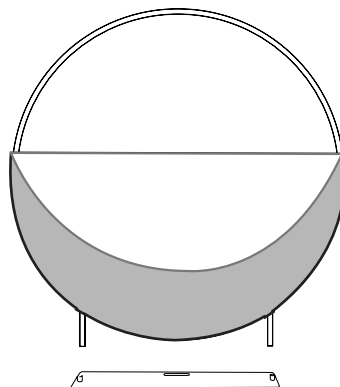
Screw legs into base.



Set up frame, snap tubes together.



Drape bottom of graphic over the bottom of the frame. Thread the "legs" through and insert them into the base. Pull graphic halfway up the frame.



Close zipper over the top of the frame.