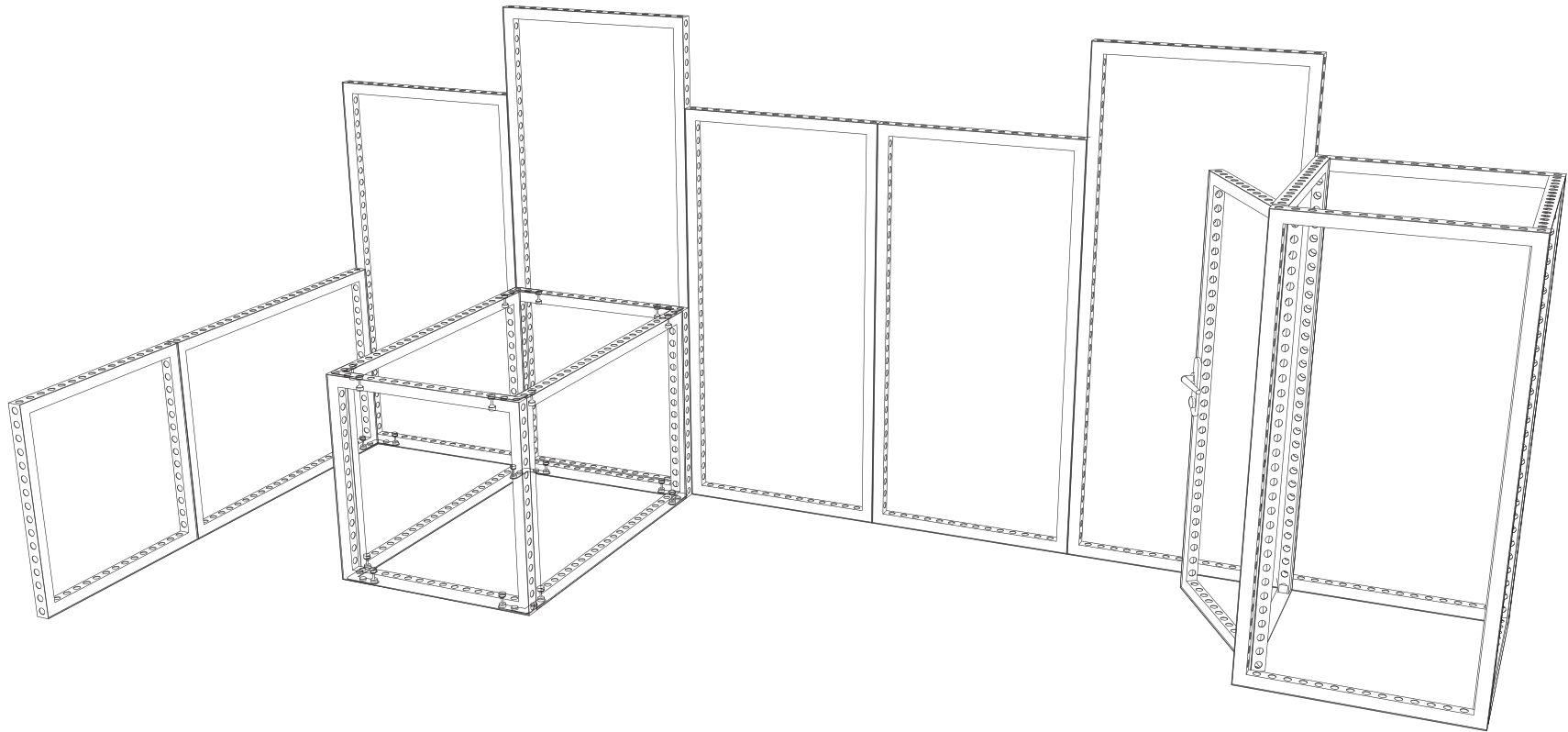
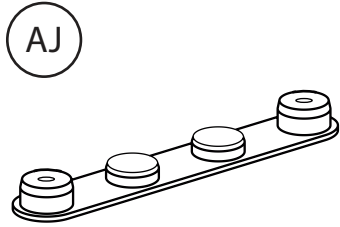


# MODCO-1

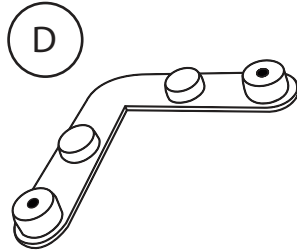


Instructions

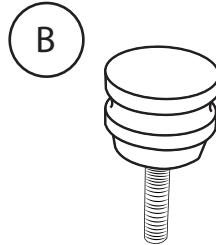
# Parts / Frames



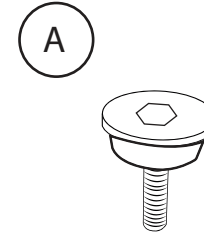
**180° Connector**  
MOD-180D-CON  
Qty.7



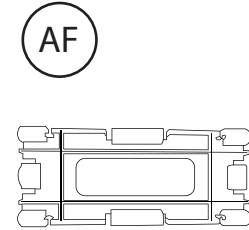
**Small 90° Connector**  
MOD-SM90D-CON  
Qty.12



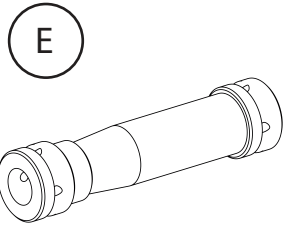
**Pin Connector**  
MOD-PC  
Qty.62



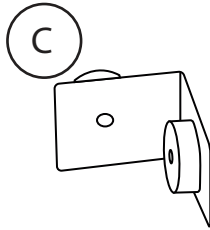
**Door Pin Connector**  
MOD-PCWP-A  
Qty.4



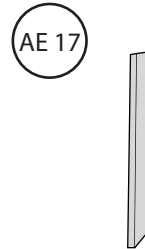
**Clip Connector**  
MOD-CC  
Qty.29



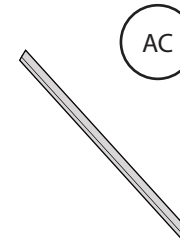
**Clamp Connector**  
MOD-CLA-CON  
Qty.12



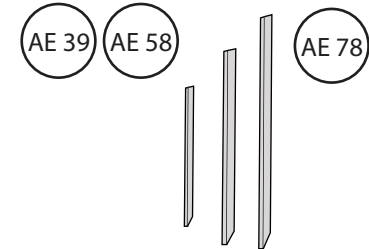
**90° Connector**  
MOD-90D-CON  
Qty.10



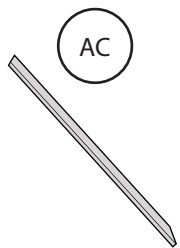
**17" Cover Profile**  
MOD-CP-3100  
Qty.4



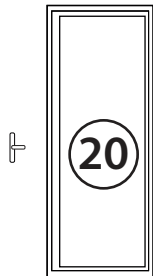
**95" Cover Profile**  
MOD-CP-992x2418  
Qty.1



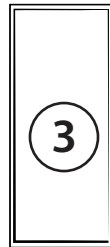
**39", 58", and 78" Cover Profile**  
MOD-CP-3100  
Qty.7 - 39", Qty.1 - 58", and Qty.3 - 78"



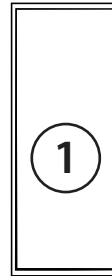
**95" Cover Profile**  
MOD-CP-992x2418  
Qty.5



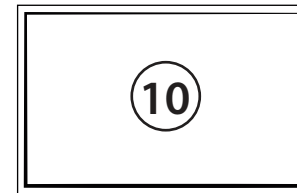
**95" Door**  
MOD-STR-DOOR  
Qty.1



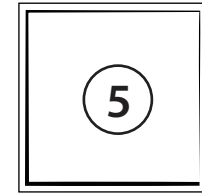
**992 x 1984**  
MOD-FRM-992x1984  
Qty.6



**992 x 2418**  
MOD-FRM-992x2418  
Qty.2

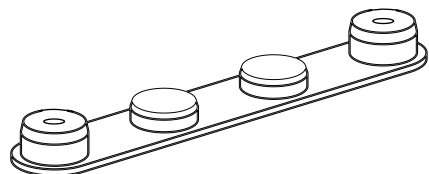


**992 x 1488**  
MOD-FRM-992x1488  
Qty.3

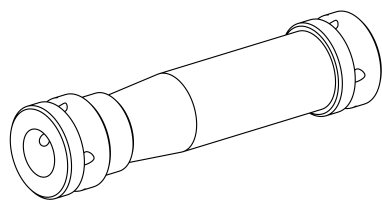
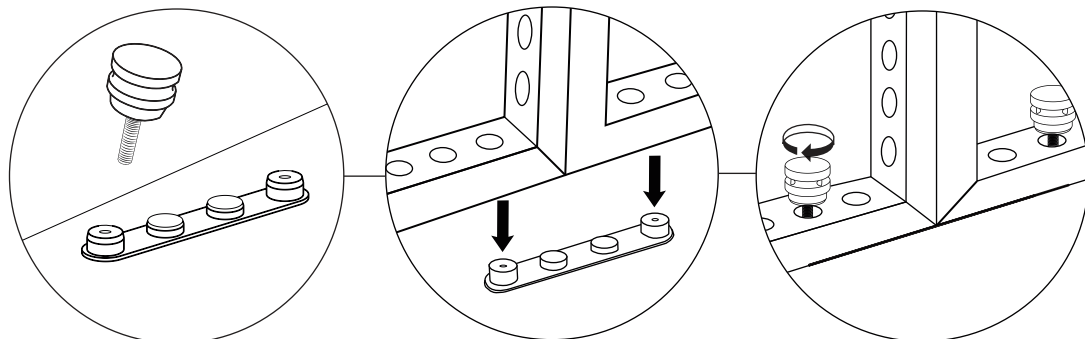


**992 x 992**  
MOD-FRM-992x992  
Qty.3

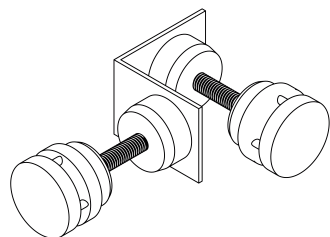
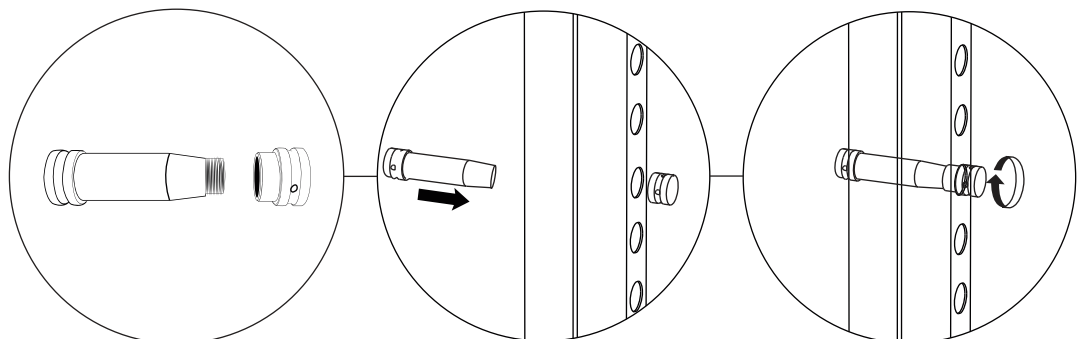
## Connections I



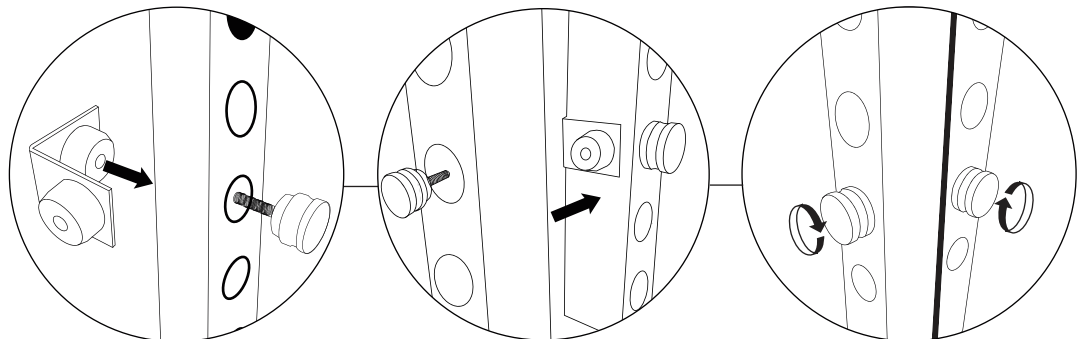
**MOD-180D-CON / MOD-PC**



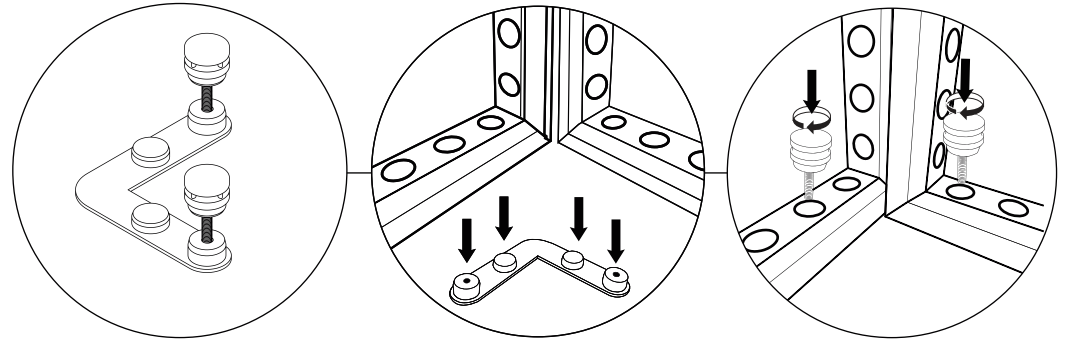
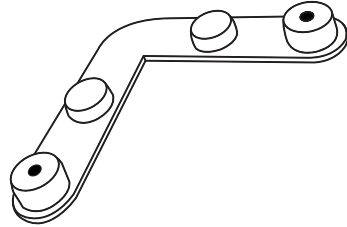
**MOD-CLA-CON**



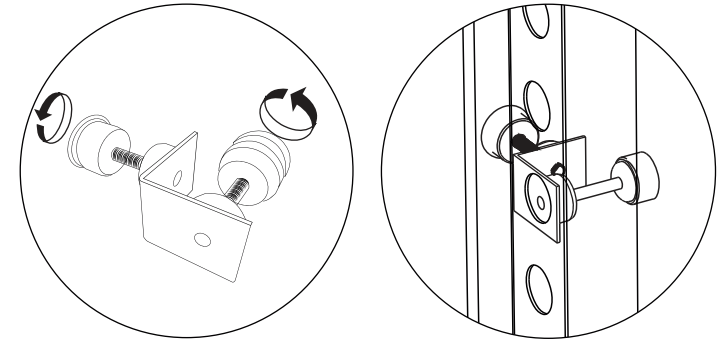
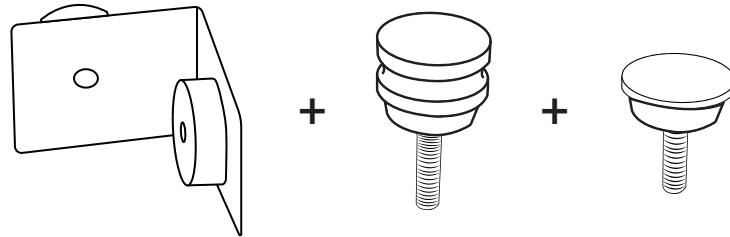
**MOD-90D-CON + MOD-PC**



## Connections II

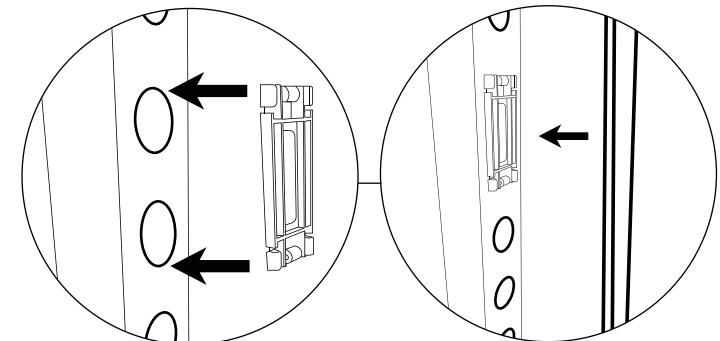
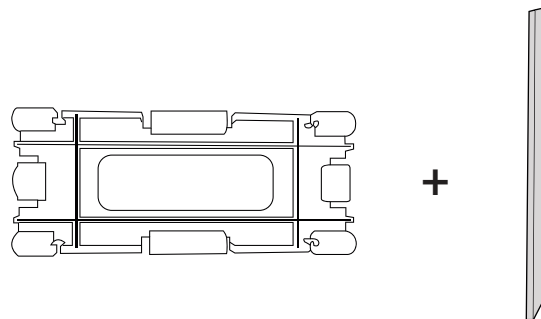


**MOD-SM90D-CON / MOD-PC**



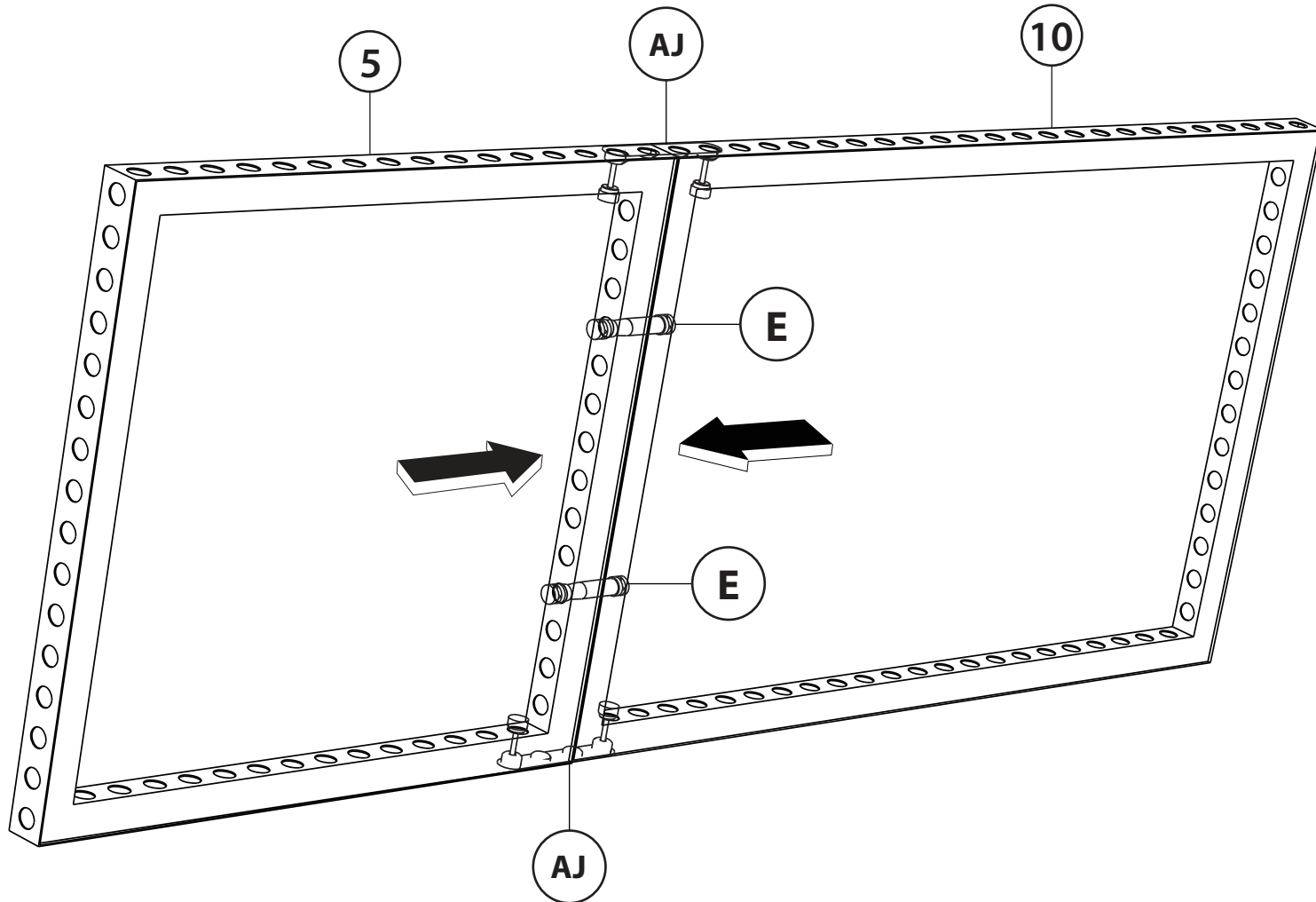
**MOD-90D-CON / MOD-PC / MOD-PCDOOR**

\*Same as (C) but MOD-PCDOOR will be inside of door jam



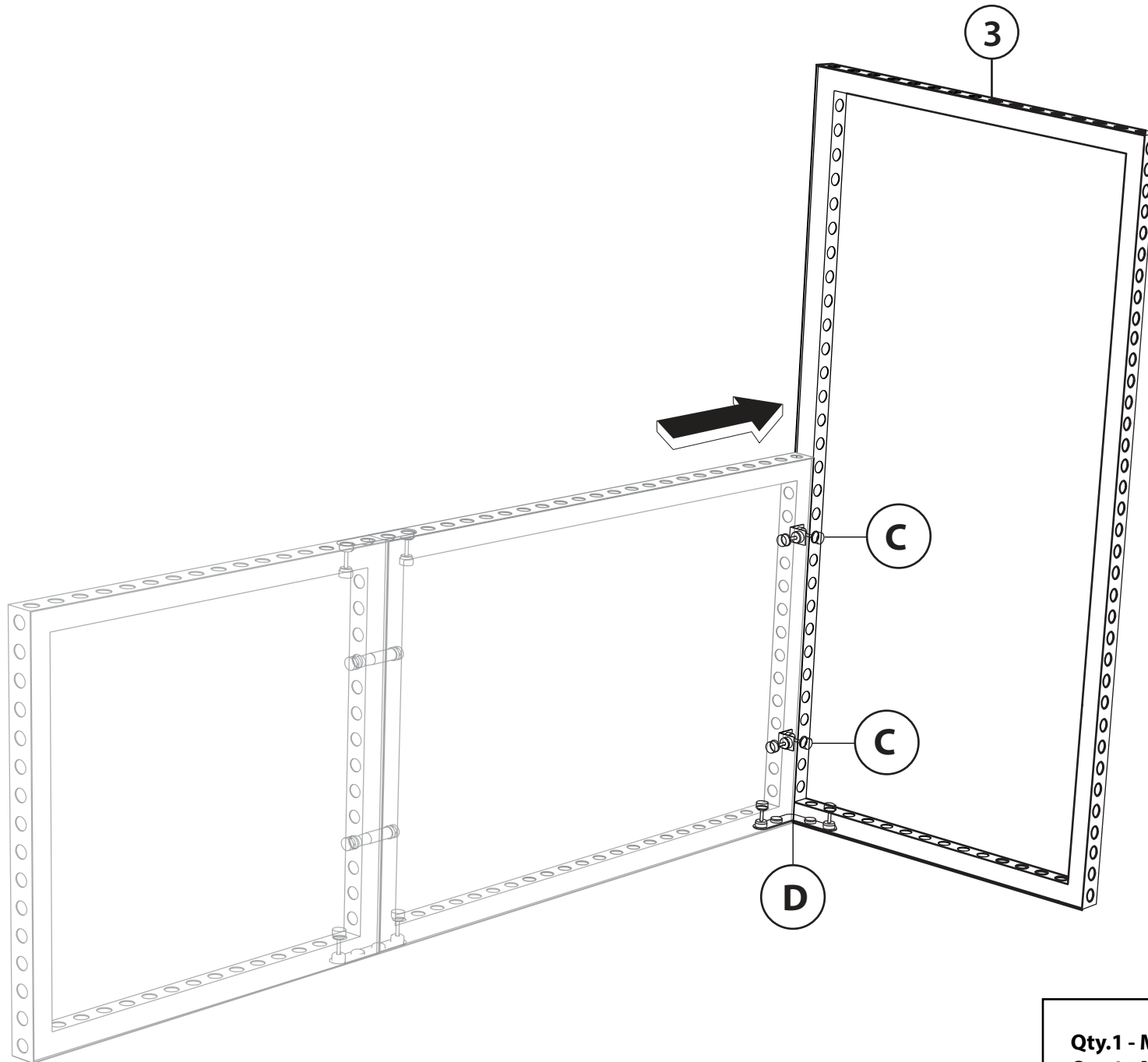
**MOD-CC / MOD-CP-3100**

1



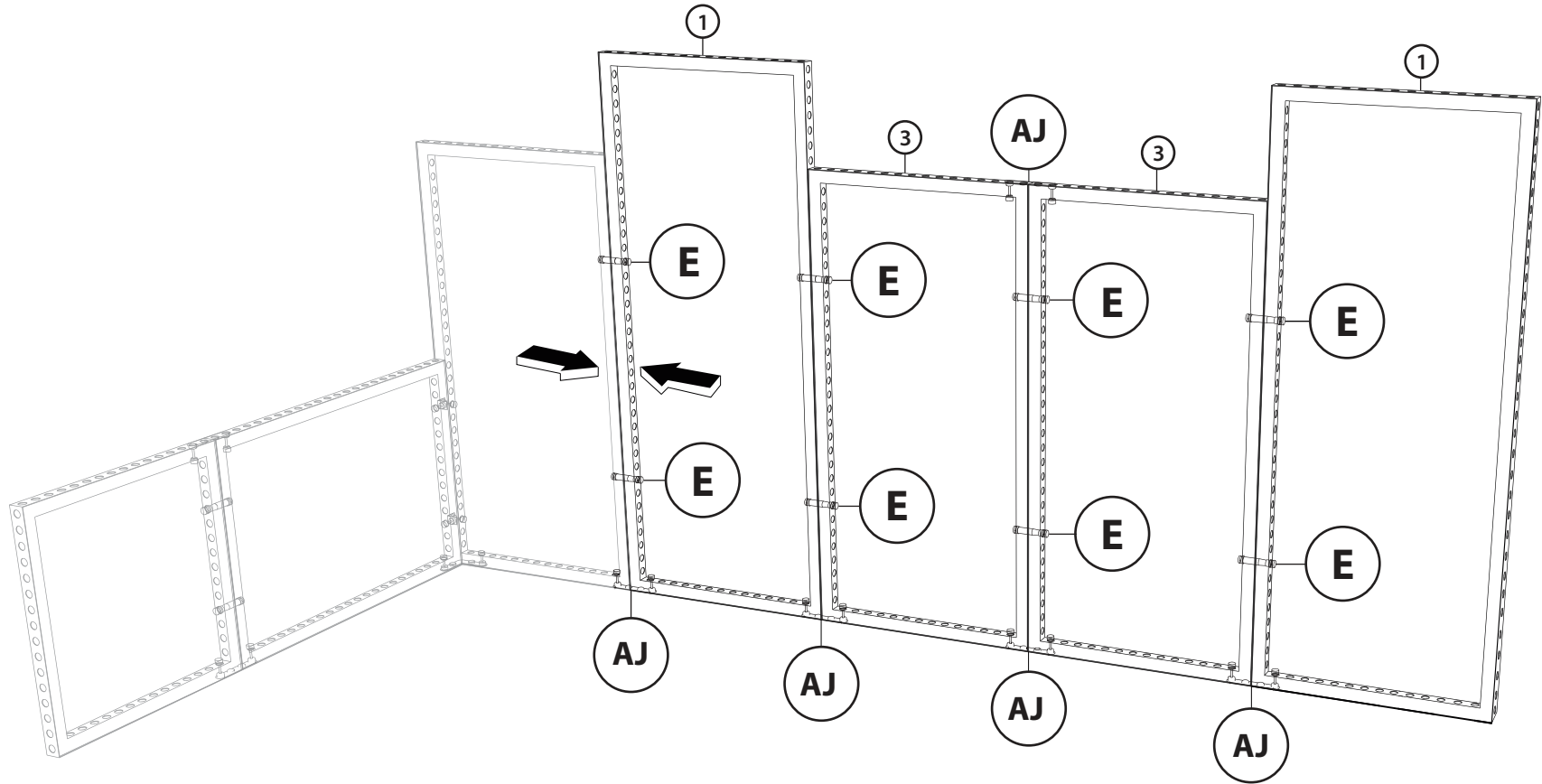
Qty.1 - MOD-FRM-992x992  
Qty.1 - MOD-FRM-992x1488  
Qty.2 - MOD-CLA-CON  
Qty.2 - MOD-180D-CON  
Qty.4 - MOD-PC

2



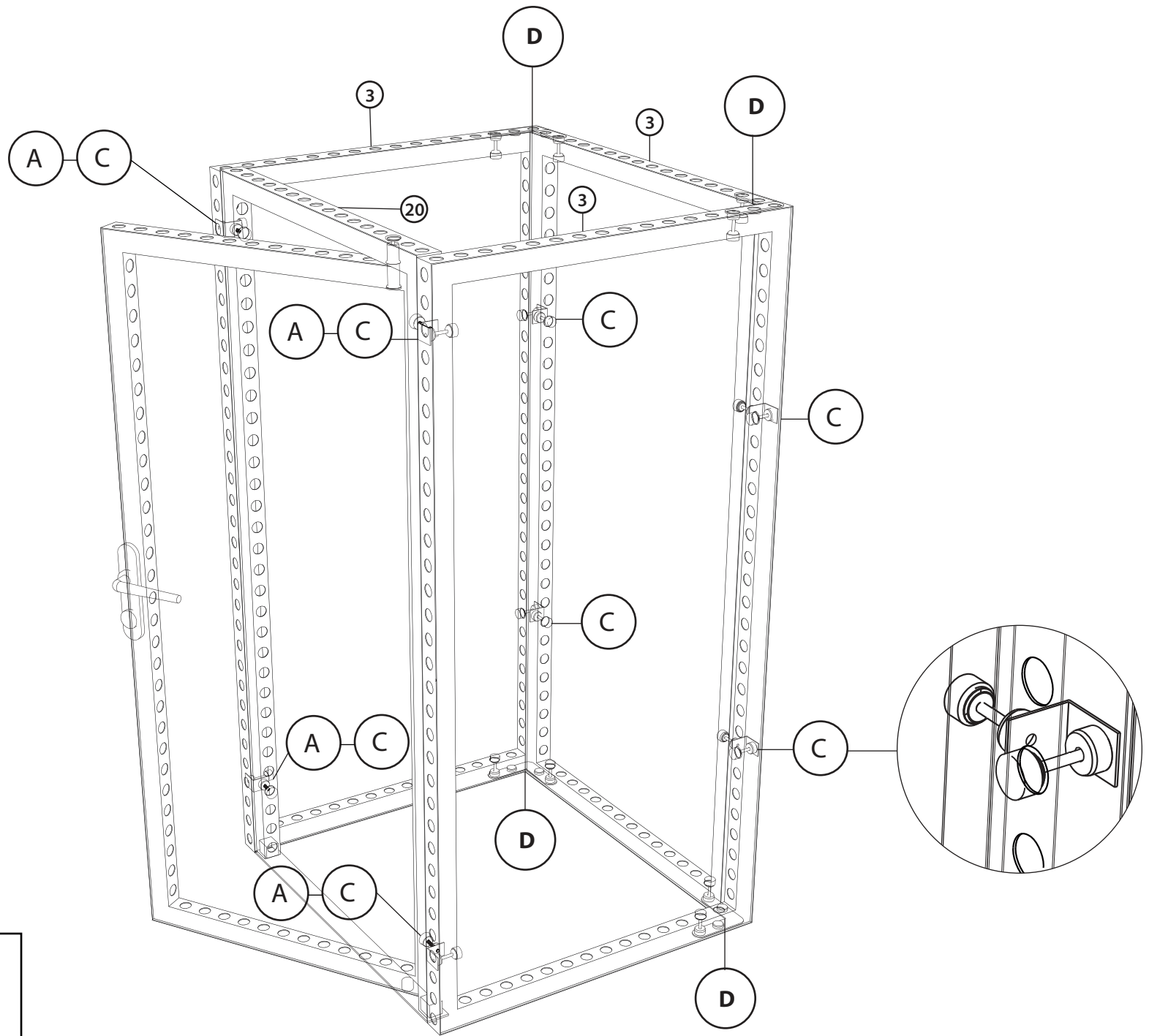
- Qty.1 - MOD-FRM-992x1984
- Qty.1 - MOD-SM90D-CON
- Qty.2 - MOD-90D-CON
- Qty.6 - MOD-PC

3



Qty.2 - MOD-FRM-992x2418  
Qty.2 - MOD-FRM-992x1984  
Qty.8 - MOD-CLA-CON  
Qty.5 - MOD-180D-CON  
Qty.10 - MOD-PC

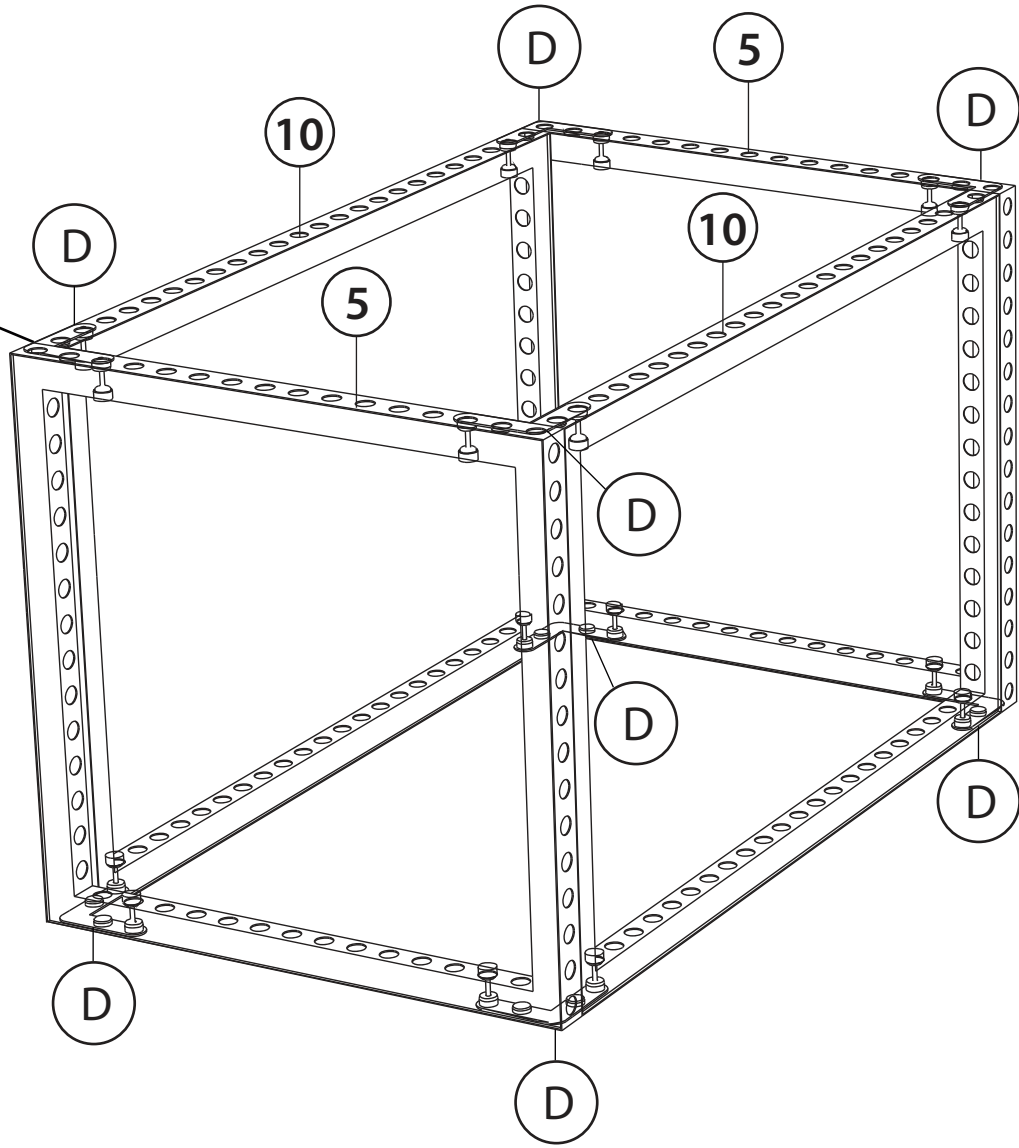
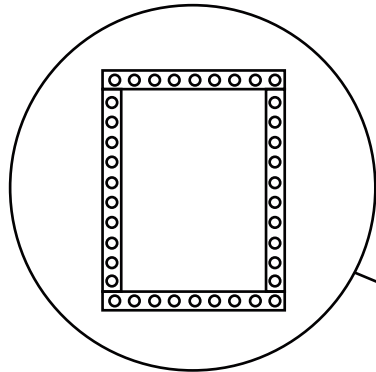
# 4



- Qty.1 - MOD-STR-DOOR
- Qty.3 - MOD-FRM-992x1984
- Qty.4 - MOD-SM90D-CON
- Qty.8 - MOD-90D-CON
- Qty.4 - MOD-PC-DOOR
- Qty.20 - MOD-PC

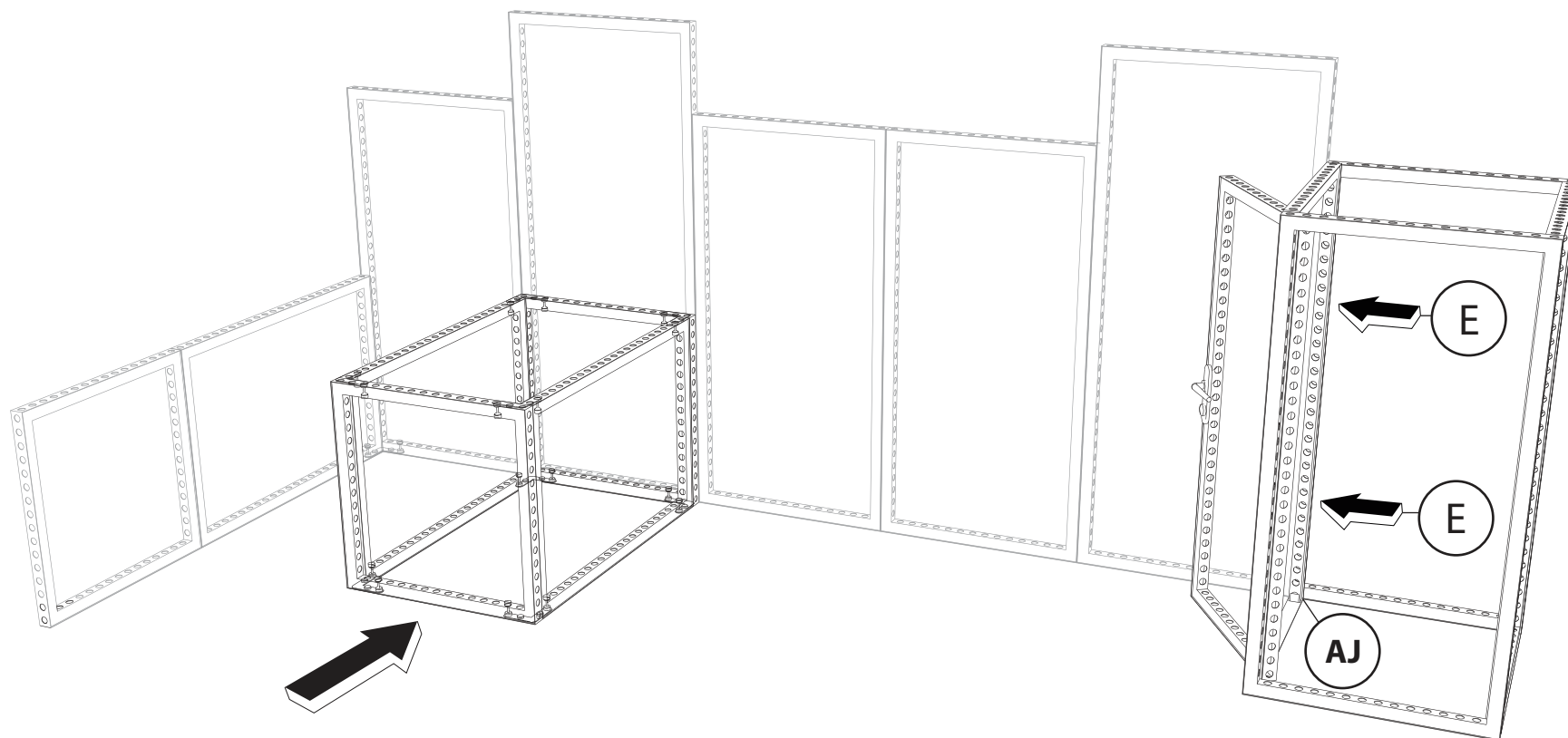


5



Qty.2 - MOD-FRM-992x992  
Qty.2 - MOD-FRM-992x1488  
Qty.8 - MOD-SM90D-CON  
Qty.16 - MOD-PC

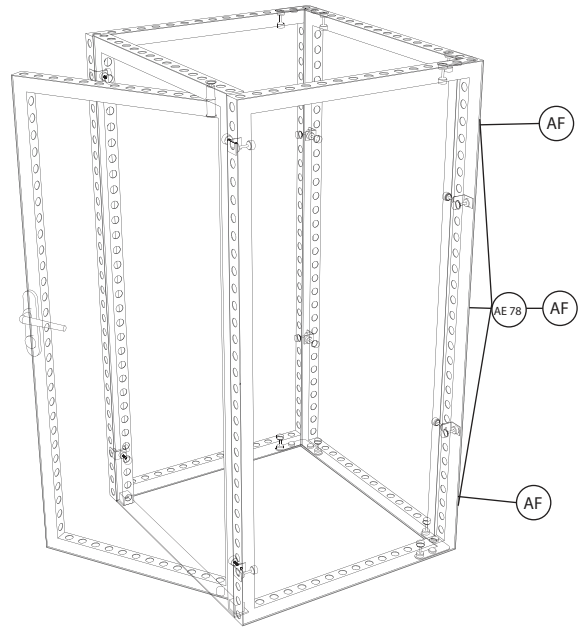
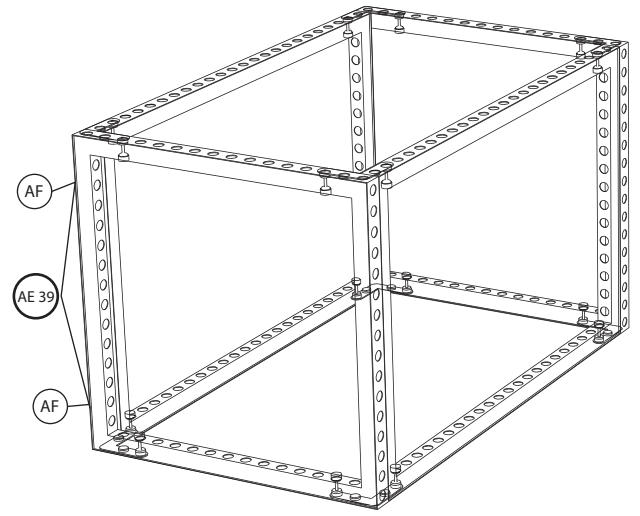
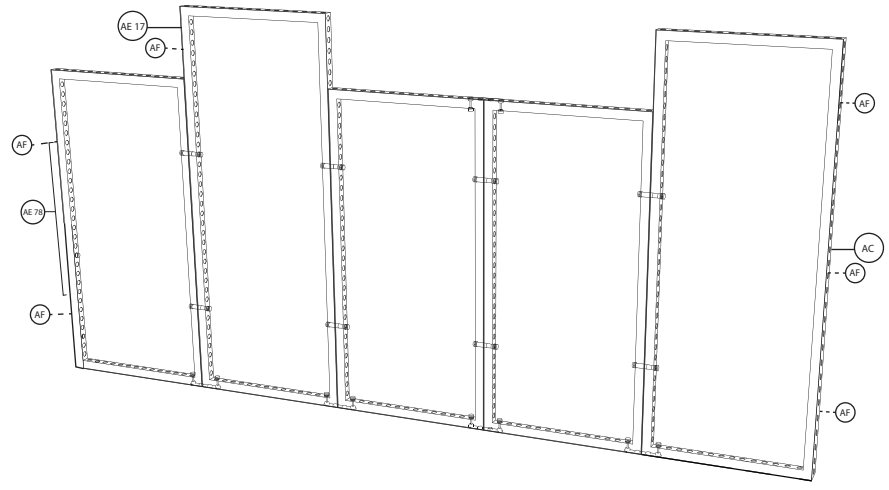
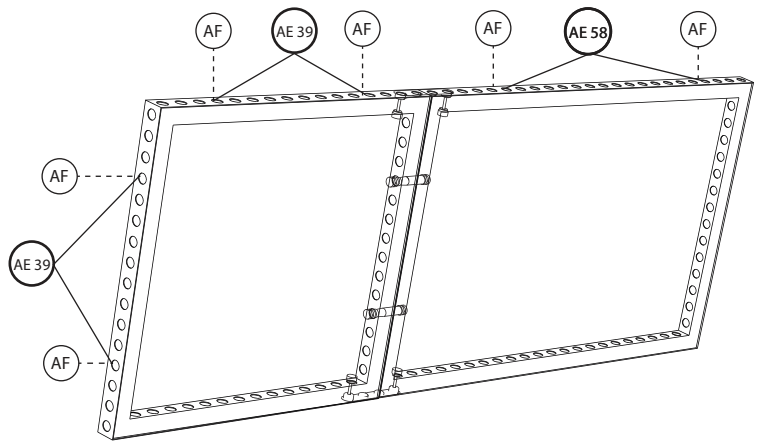
6



Qty.1 - MOD-FRM-992x1984  
Qty.1 - MOD-180D-CON  
Qty.2 - MOD-CLA-CON  
Qty.2 - MOD-PC

**Counter is independent / DOES NOT ATTACH TO BACKWALL FRAME.**

# Cover Profiles



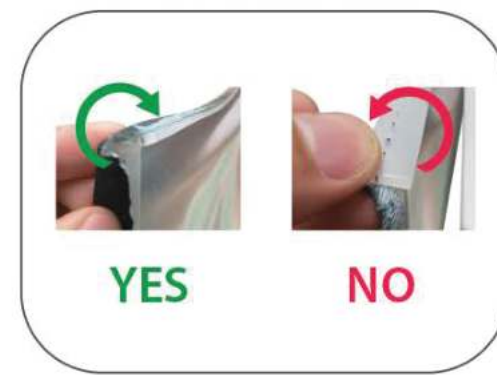
## Graphic Install



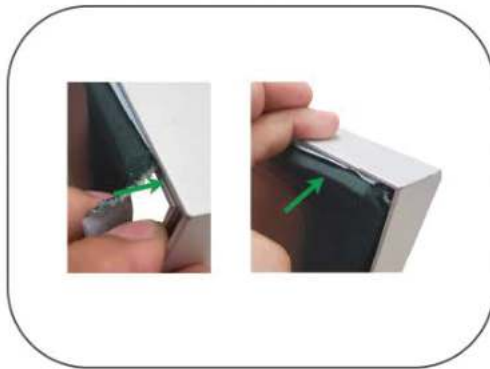
Place graphic over the front of the frame.



Begin inserting SEG beading at each corner.



Insert the silicone beading with the fabric folded over. The silicone beading should not be exposed.



Using your fingers, push both fabric and silicone beading completely into the extrusions channel.



Continue to push in the remaining silicone beading on each side.



Check the perimeter of the frame for any excess beading that hasn't been pushed in. Graphic should be taut.