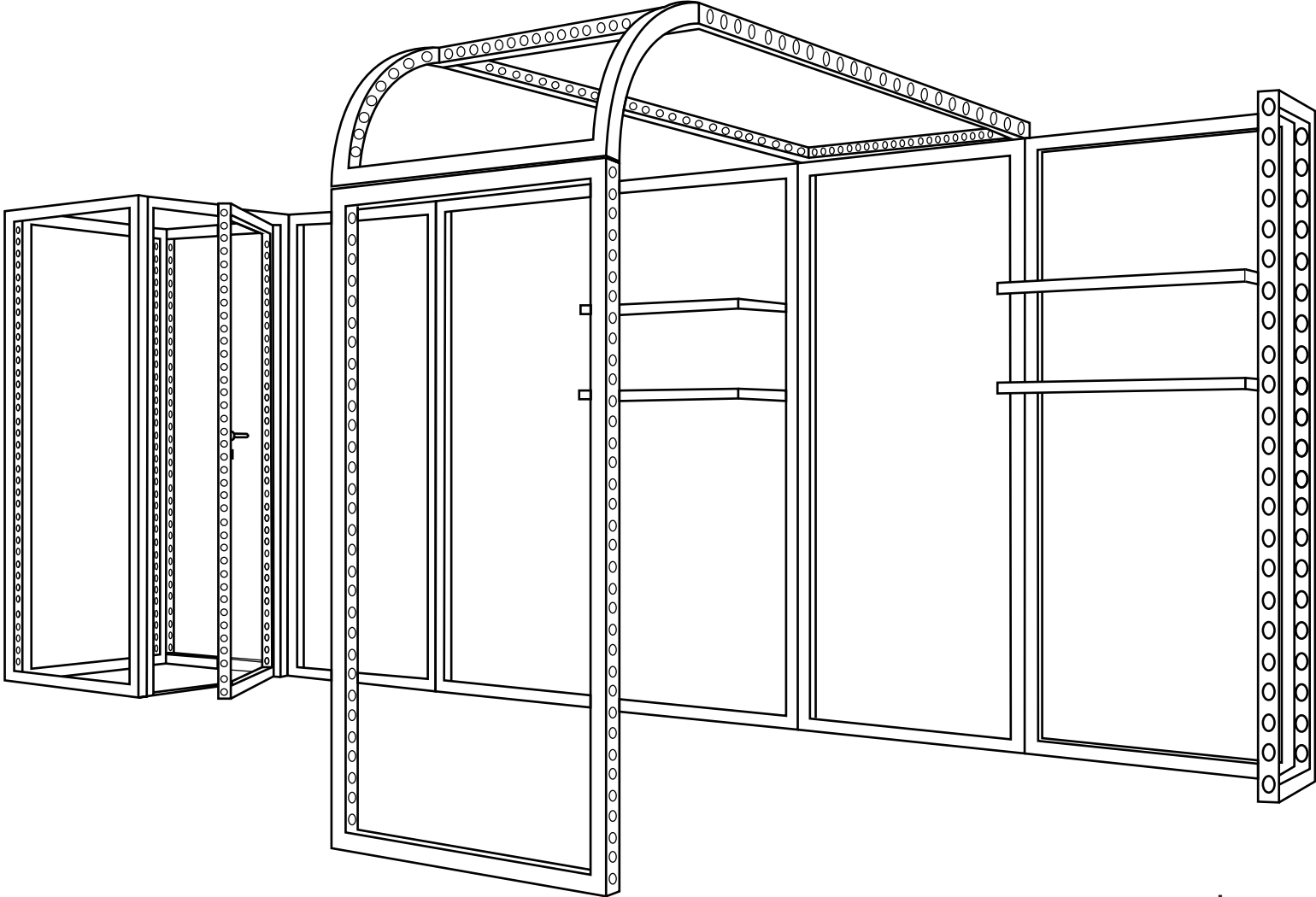
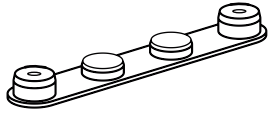


**MODCO-4-20x10**

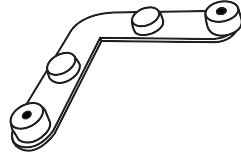


Instructions

## Parts / Frames



**180° Connector**  
MOD-180D-CON  
Qty.8



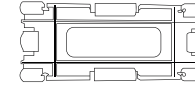
**Small 90° Connector**  
MOD-SM90D-CON  
Qty.6



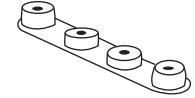
**Pin Connector**  
MOD-PC  
Qty.80



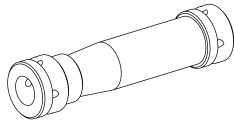
**Door Pin Connector**  
MOD-PCDOOR  
Qty.4



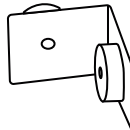
**Clip Connector**  
MOD-CC  
Qty.23



**180° Curved Connector**  
MOD-CRV-180DCL Qty.2  
MOD-CRV-180DCR Qty.2



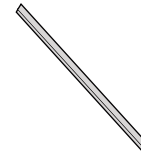
**Clamp Connector**  
MOD-CLA-CON  
Qty.10



**90° Connector**  
MOD-90D-CON  
Qty.16



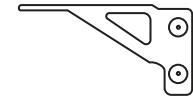
**1/4 Curved Cover Profile**  
MOD-CP-774  
Qty.2



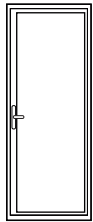
**58" / 78" Cover Profile**  
MOD-CP-3100  
Qty.2 - 58" / Qty.2 - 78"



**95" Cover Profile**  
MOD-CP-3100  
Qty.4



**Shelf Kit (left/right)**  
MOD-SHELF-KIT-INS  
Qty.4 (pair)



**95" Door**  
MOD-DSWL-992x2418  
Qty.1



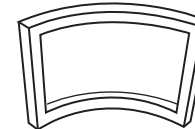
**992 x 1984**  
MOD-FRM-992x1984  
Qty.1



**992 x 2418**  
MOD-FRM-992x2418  
Qty.9



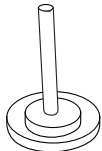
**496 x 2418**  
MOD-FRM-496x2418  
Qty.1



**992 x 992**  
MOD-CRVFRM-774x992  
Qty.1



**Counter Shelves**  
MOD-PNL  
Qty.4



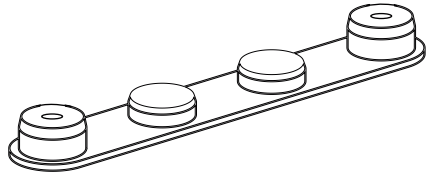
**Pin Connector for Profile Cover**  
MOD-PCWP-B  
Qty.4



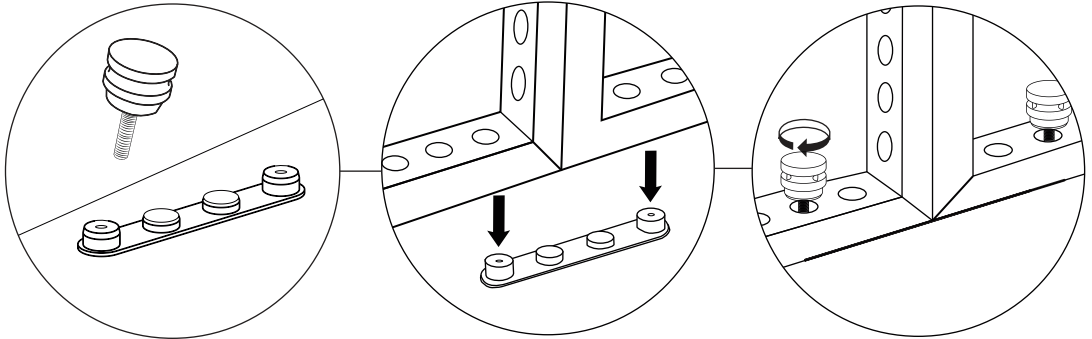
**28mm Screw Nut**  
MOD-SN28MM  
Qty.4

**Connections I**

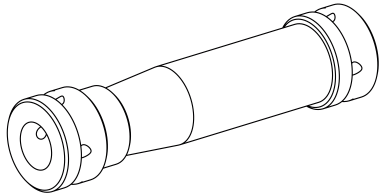
**A**



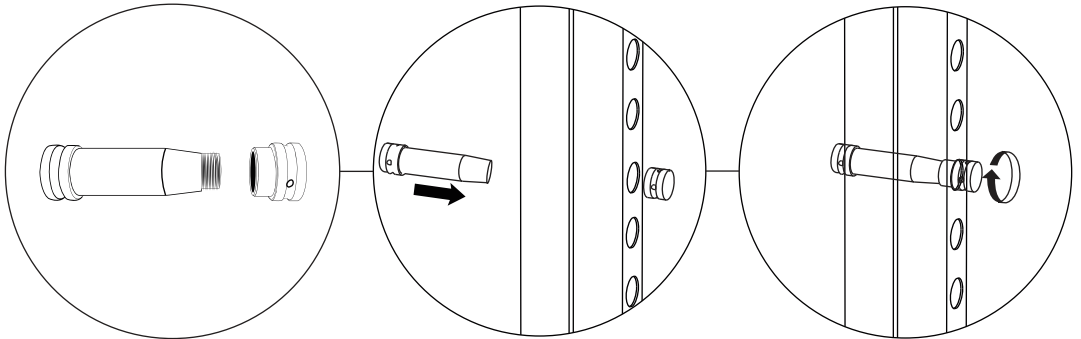
**MOD-180D-CON / MOD-PC**



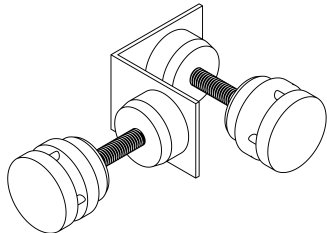
**B**



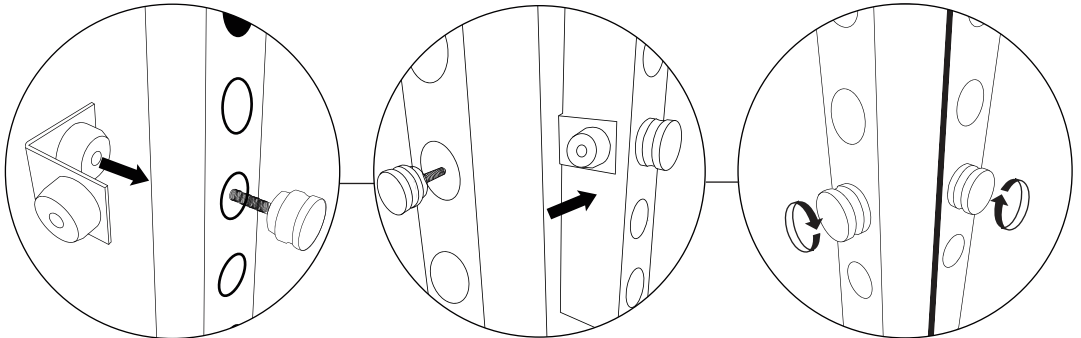
**MOD-CLA-CON**



**C**

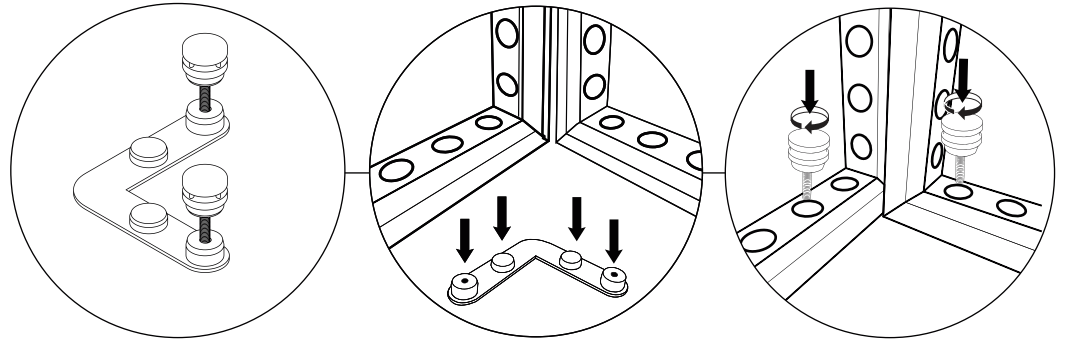
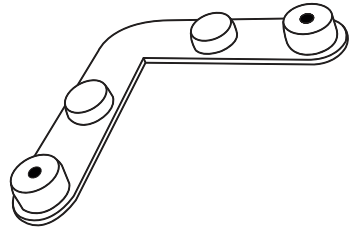


**MOD-90D-CON + MOD-PC**



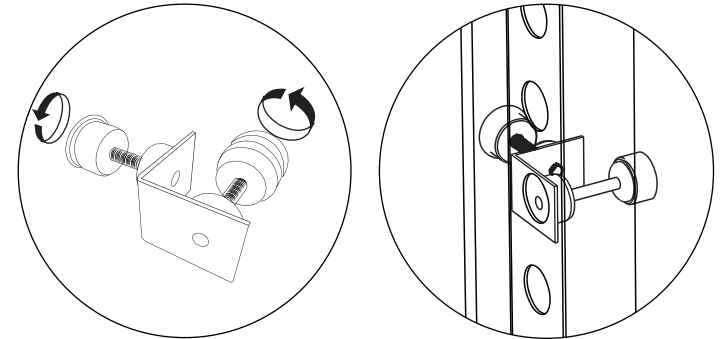
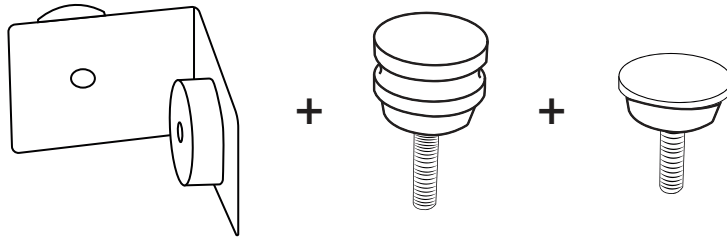
## Connections II

# D



**MOD-SM90D-CON / MOD-PC**

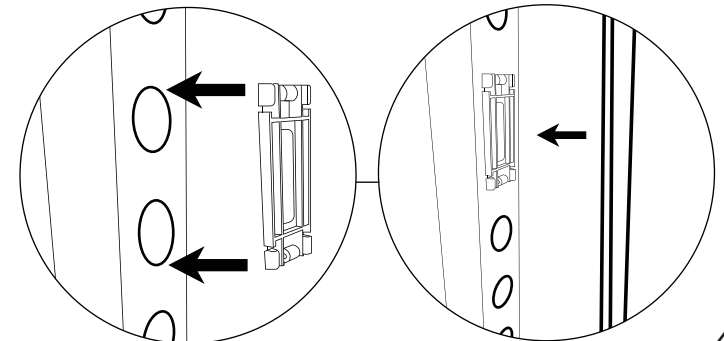
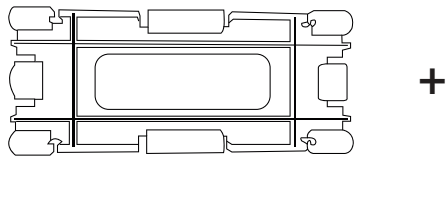
# E



**MOD-90D-CON / MOD-PC / MOD-PCDOOR**

\*Same as (C) but MOD-PCDOOR will be inside of door jam

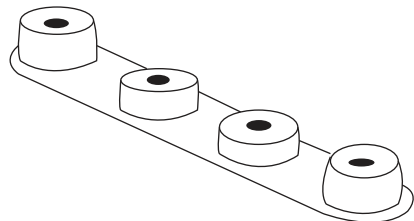
# F



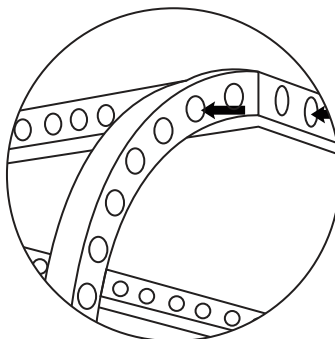
**MOD-CC / MOD-CP-3100 / MOD-CP-774**

## Connections III

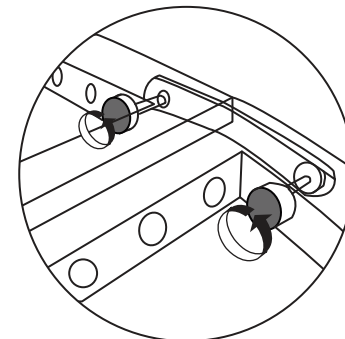
# G



**MOD-CRV-180DC / LEFT & RIGHT**

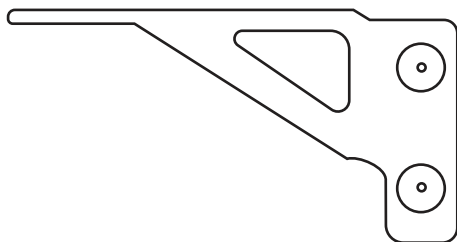


**OUTSIDE**

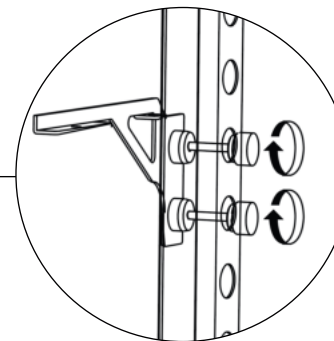
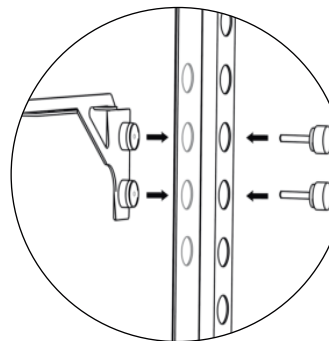


**INSIDE**

# H



**MOD-SHELF-KIT-INS**



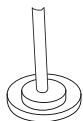
**INSIDE OF FRAME**

# I



**MOD-CP-774**

+

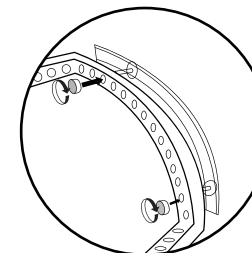
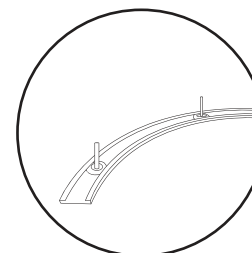
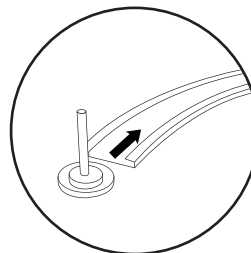


**MOD-PCWP-B**

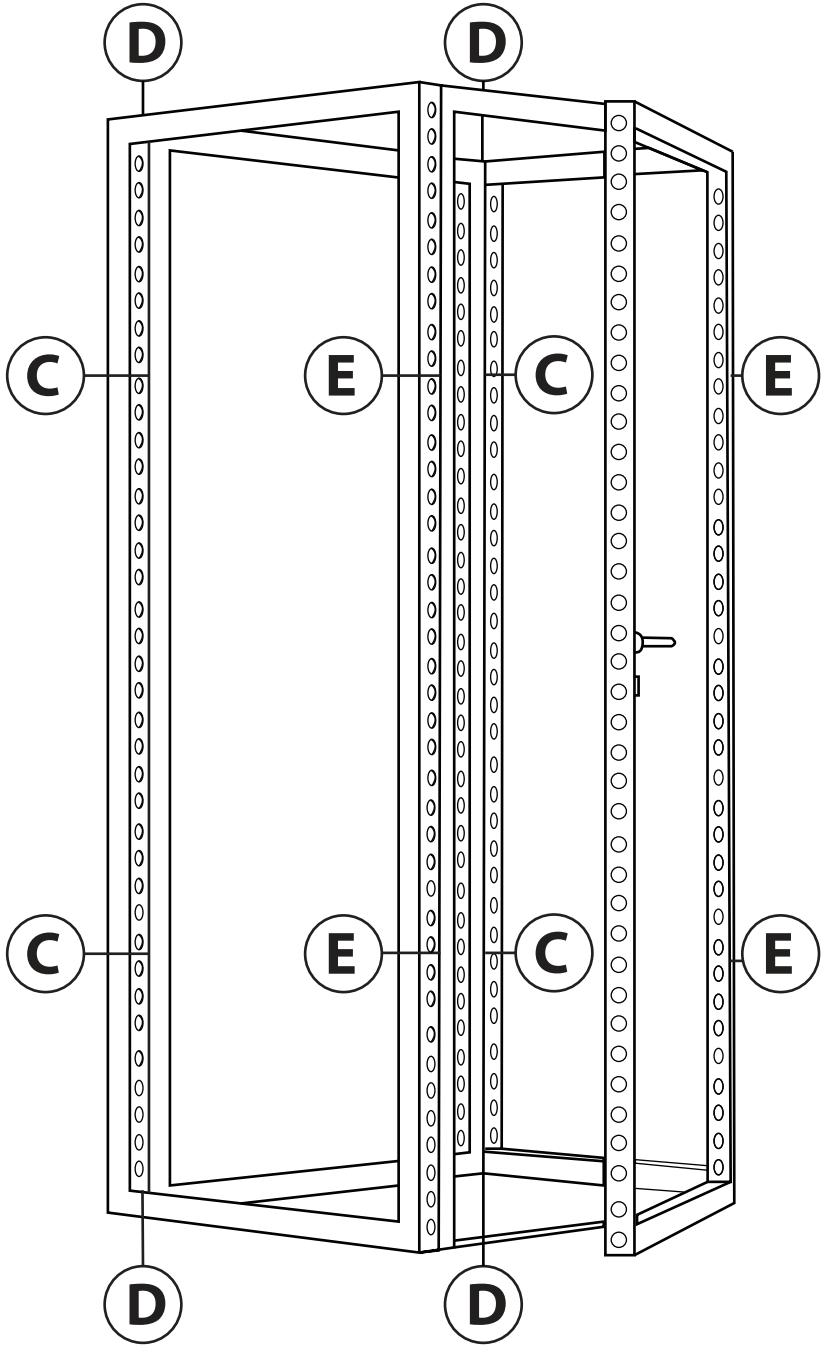
+



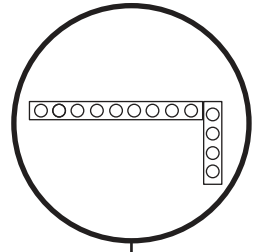
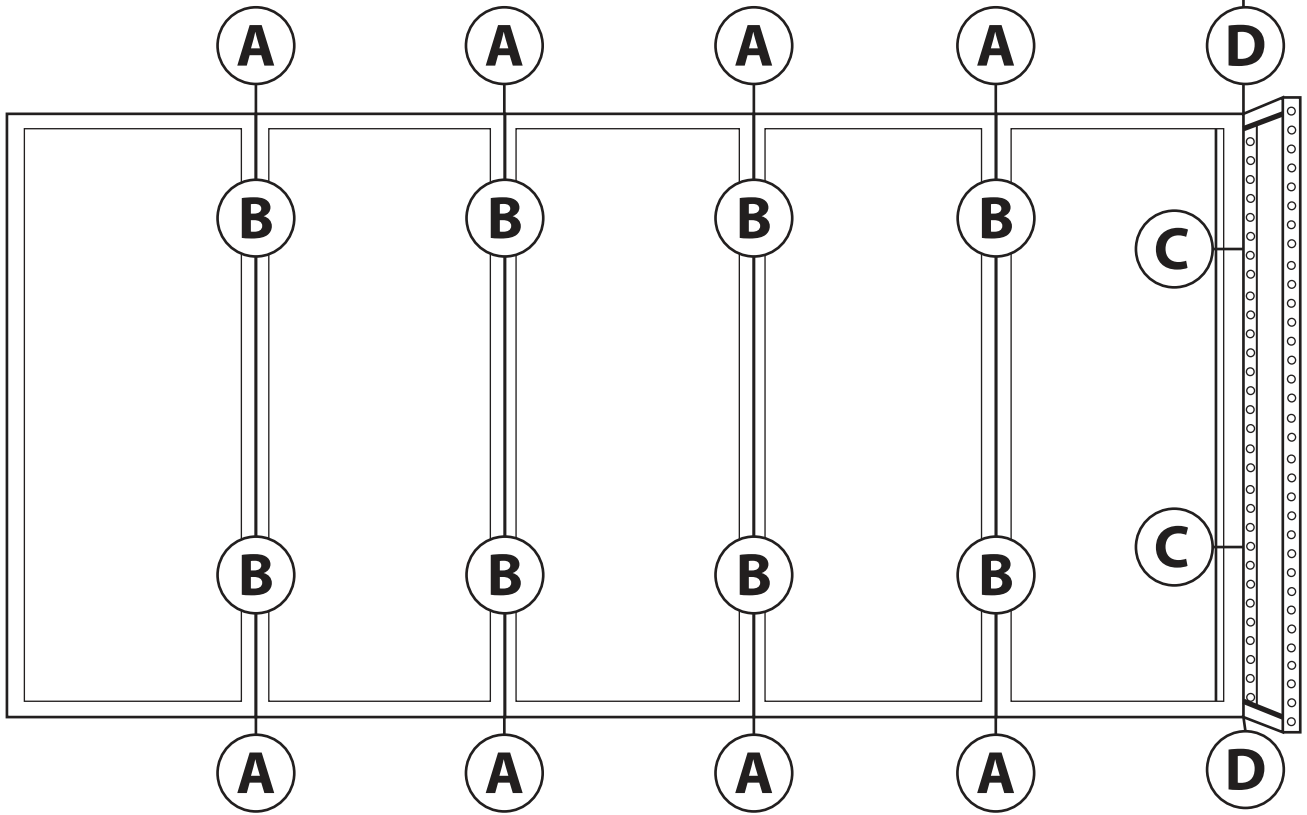
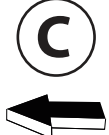
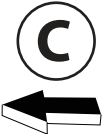
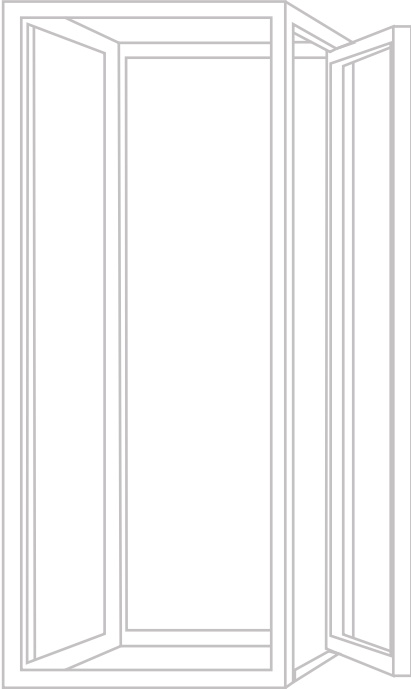
**MOD-SN28MM**



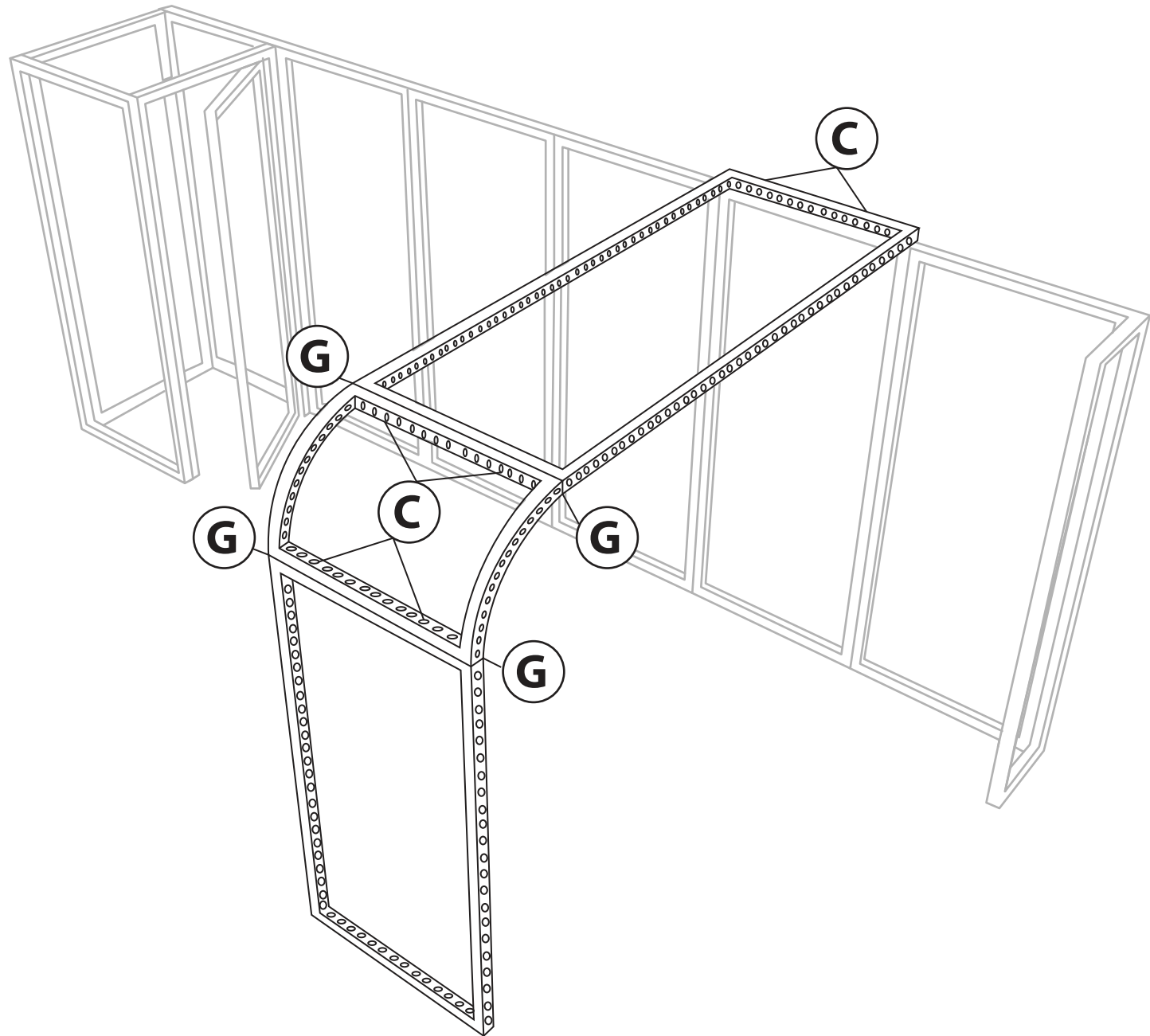
1



2

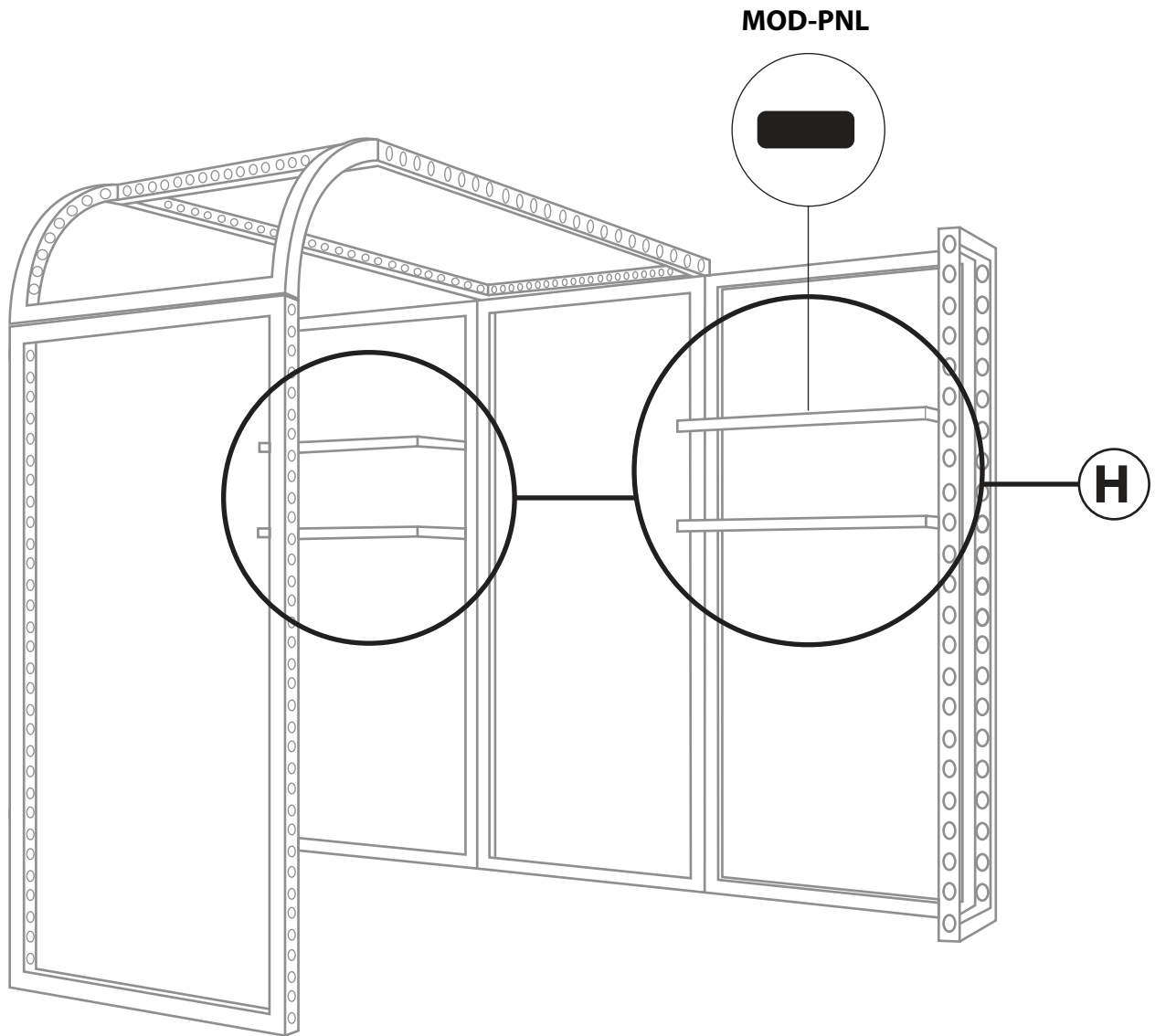


3



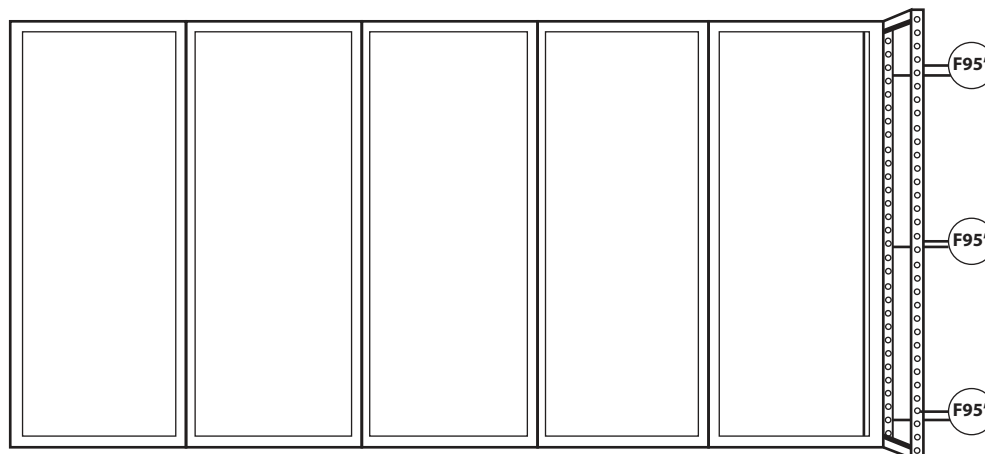
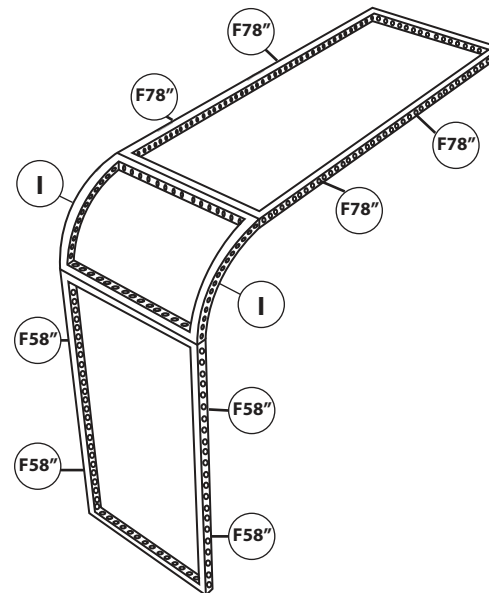
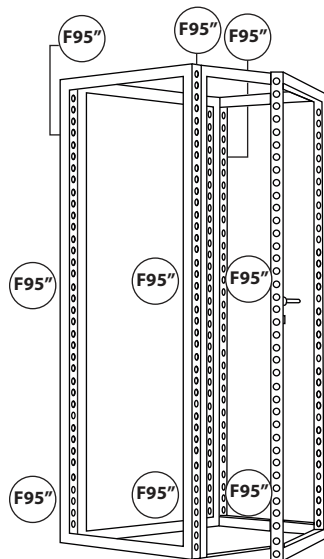


4



**Slide panels onto shelf brackets. NO DRILLING REQUIRED.**

## Cover Profiles



**Snap in clip connectors at each designated point and then reference the measurement and install the cover profile.**  
**\*Overhead view - clip connectors/cover profiles to back side of configuration.**

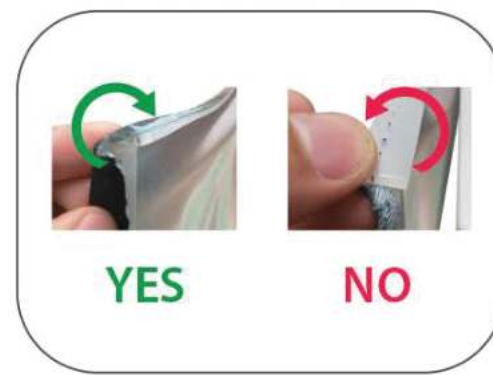
## Graphic Install



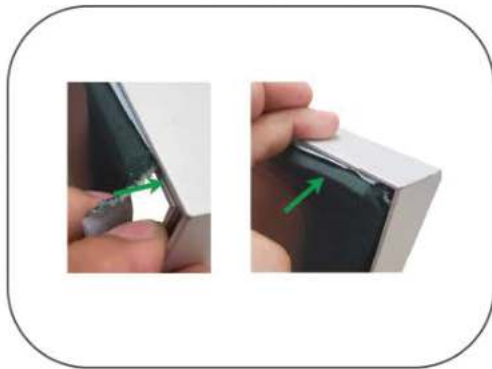
Place graphic over the front of the frame.



Begin inserting SEG beading at each corner.



Insert the silicone beading with the fabric folded over. The silicone beading should not be exposed.



Using your fingers, push both fabric and silicone beading completely into the extrusions channel.



Continue to push in the remaining silicone beading on each side.



Check the perimeter of the frame for any excess beading that hasn't been pushed in. Graphic should be taut.