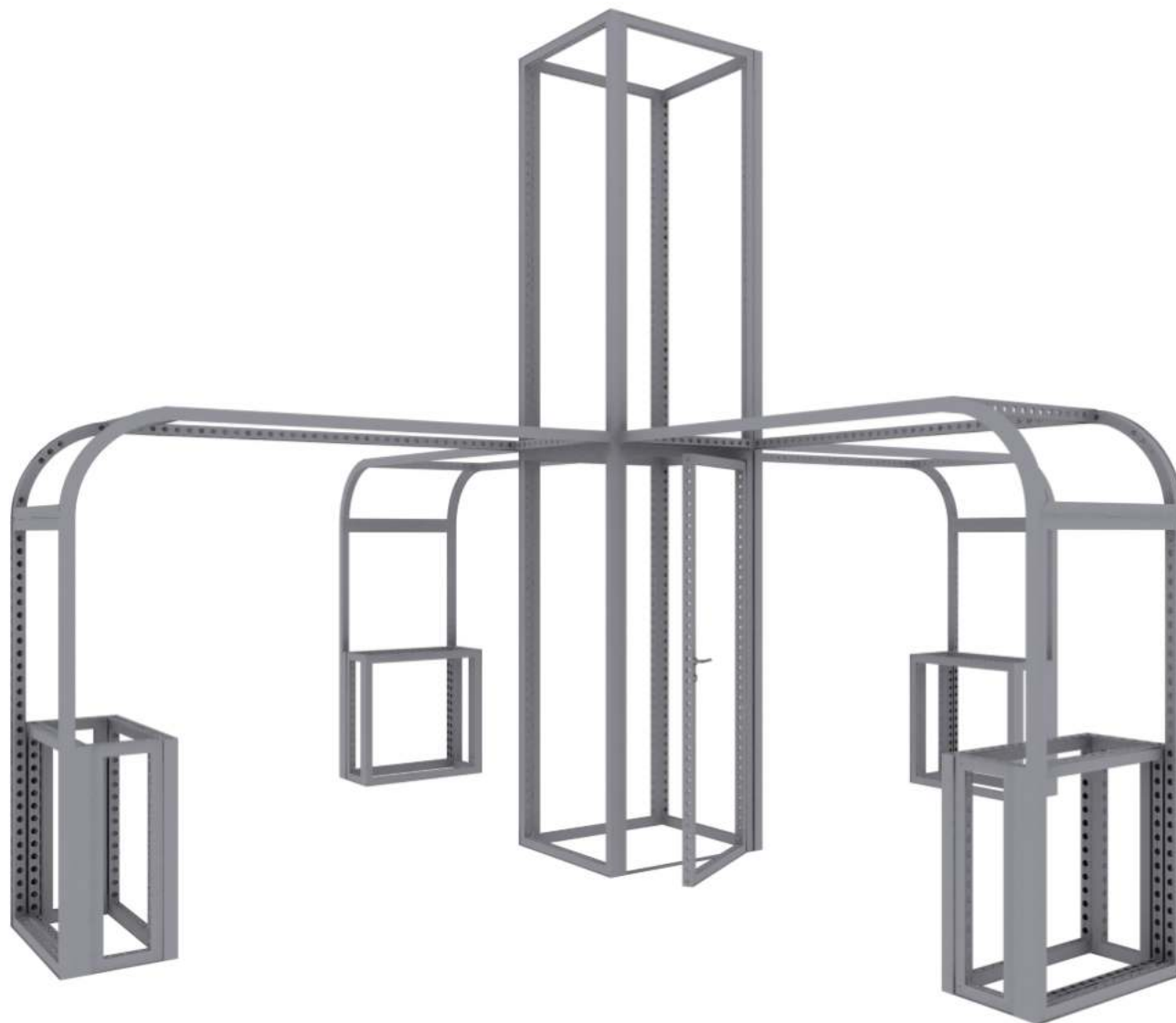
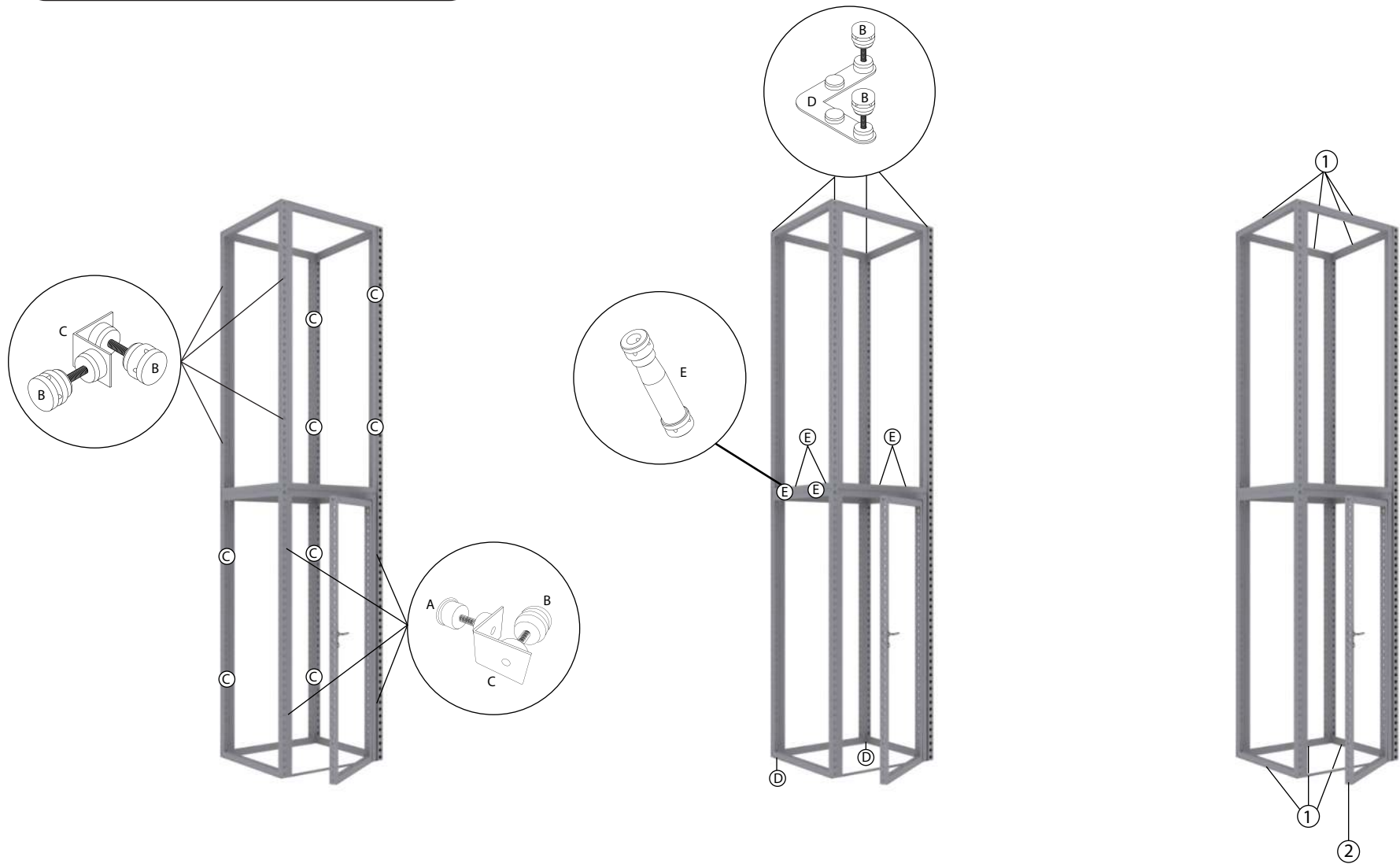


# MODCO 5 - 30x30



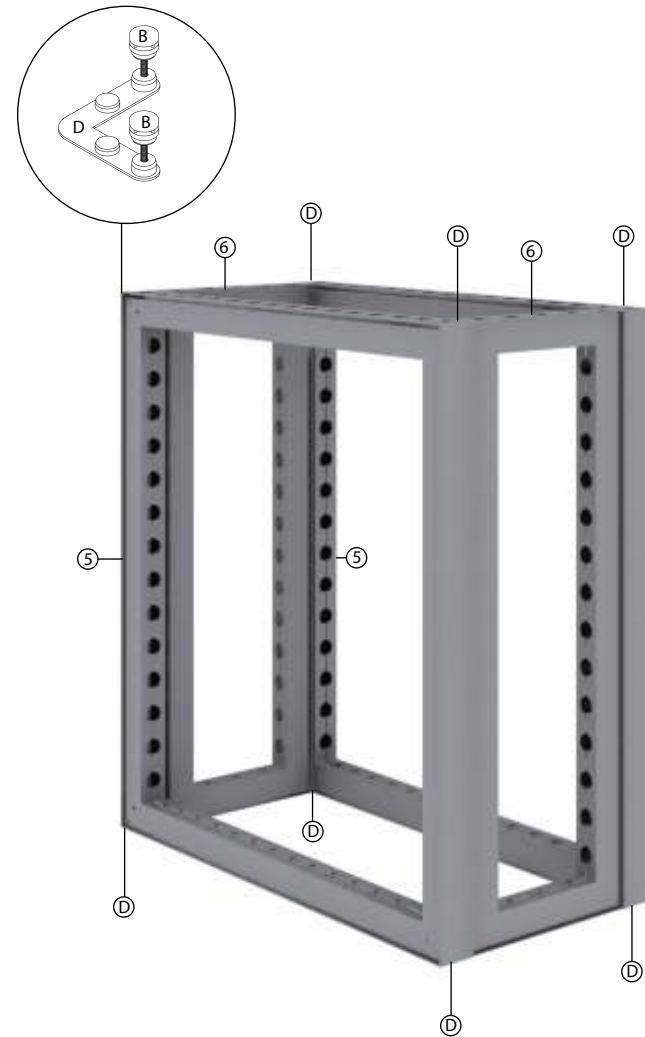
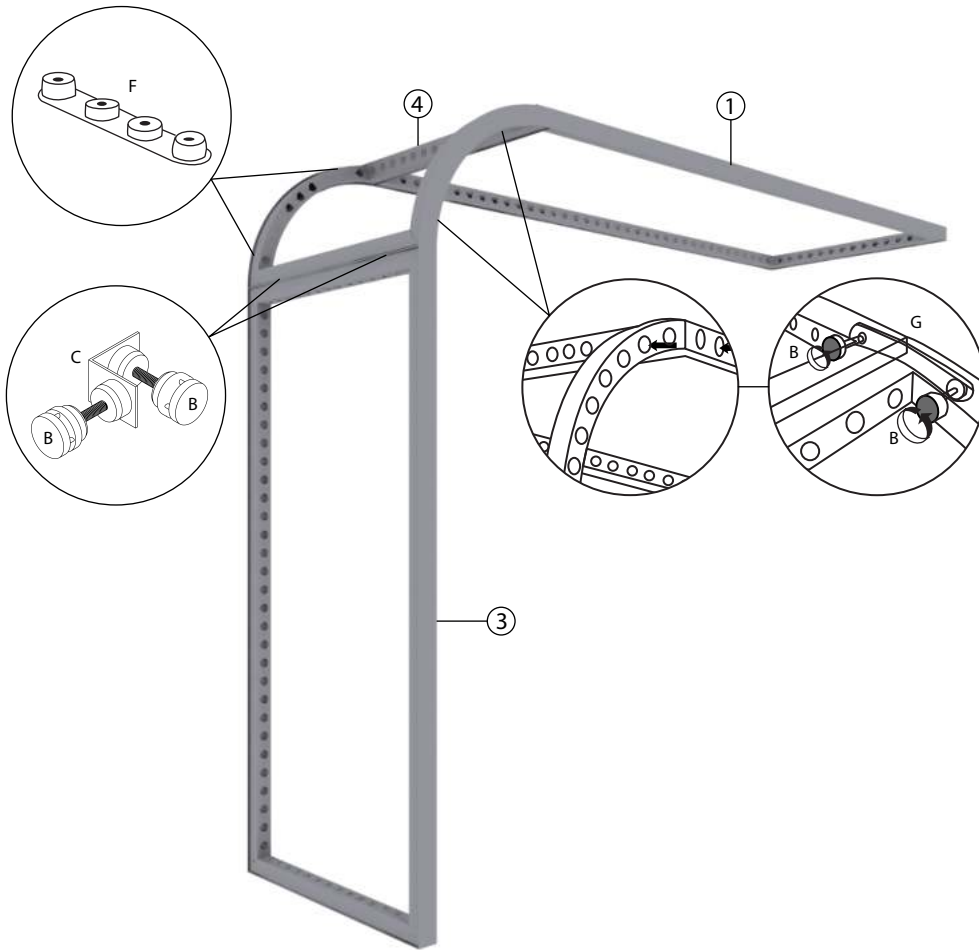
# MODCO 5 - 30x30



## PARTS LIST (TOWER)

| REF | QTY | PART NO.          | DESCRIPTION   |
|-----|-----|-------------------|---|
| A   | 4   | MOD-PCWP-A        | Pin Connector for Door Jamb                         |
| B   | 44  | MOD-PC            | Pin Connector                                       |
| 1   | 7   | MOD-FRM-992x2418  | Straight Frame, Corner Screw Connect 992mm x 2418mm |
| 2   | 1   | MOD-DSWL-992x2418 | Door Set w/ Lock 992mm x 2418mm                     |
| C   | 16  | MOD-90D-CON       | 90°Connector  |
| D   | 8   | MOD-SM90D-CON     | Small 90° Connector                                 |
| E   | 8   | MOD-CLA-CON       | Clamp Connector                                     |

# MODCO 5 - 30x30



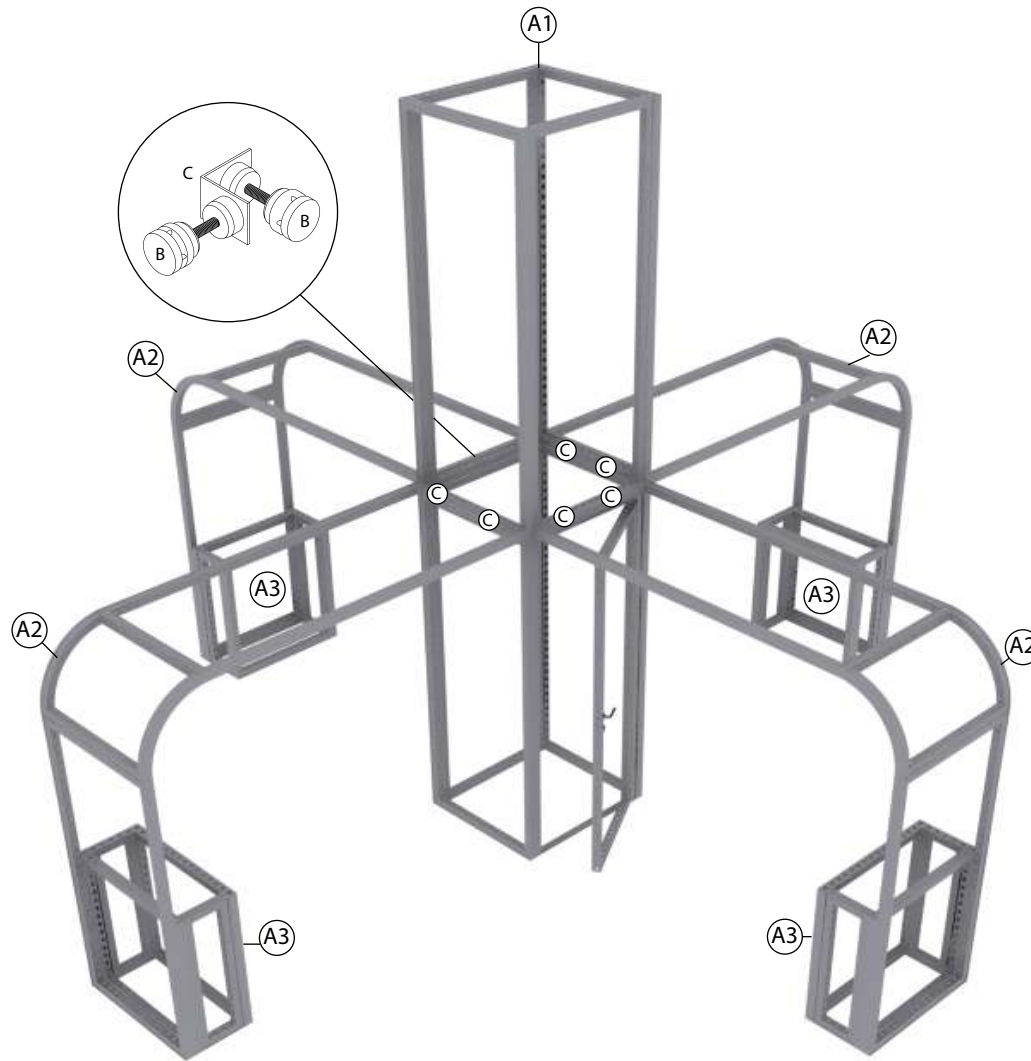
**PARTS LIST (ARCH / Qty.4 TOTAL)**

| REF | QTY | PART NO.           | DESCRIPTION   |
|-----|-----|--------------------|---|
| 1   | 4   | MOD-FRM-992x2418   | Straight Frame, Corner Screw Connect 992mm x 2418mm |
| 3   | 4   | MOD-FRM-992x1984   | Straight Frame, Corner Screw Connect 992mm x 1984mm |
| 4   | 4   | MOD-CRVFRM-774x992 | 1/4 Curved Frame, Welded 774mm x 992mm              |
| B   | 64  | MOD-PC             | Pin Connector                                       |
| C   | 16  | MOD-90D-CON        | 90° Connector                                       |
| F   | 8   | MOD-CRV-180DCL     | Curve 180 Degree Connector (Left)                   |
| G   | 8   | MOD-CRV-180DCR     | Curve 180 Degree Connector (Right)                  |

**PARTS LIST (COUNTER / Qty.4 TOTAL)**

| REF | QTY | PART NO.        | DESCRIPTION  |
|-----|-----|-----------------|--|
| 5   | 8   | MOD-FRM-992x992 | Straight Frame, Corner Screw Connect 992mm x 992mm |
| 6   | 8   | MOD-FRM-310x992 | Straight Frame, Corner Screw Connect 310mm x 992mm |
| D   | 8   | MOD-SM90D-CON   | Small 90° Connector                                |
| B   | 16  | MOD-PC          | Pin Connector                                      |

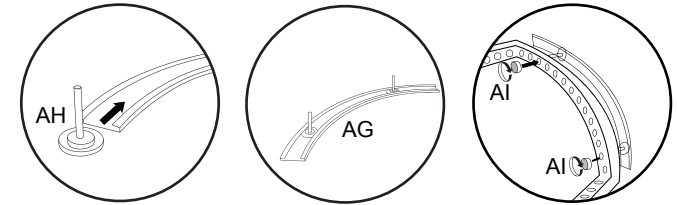
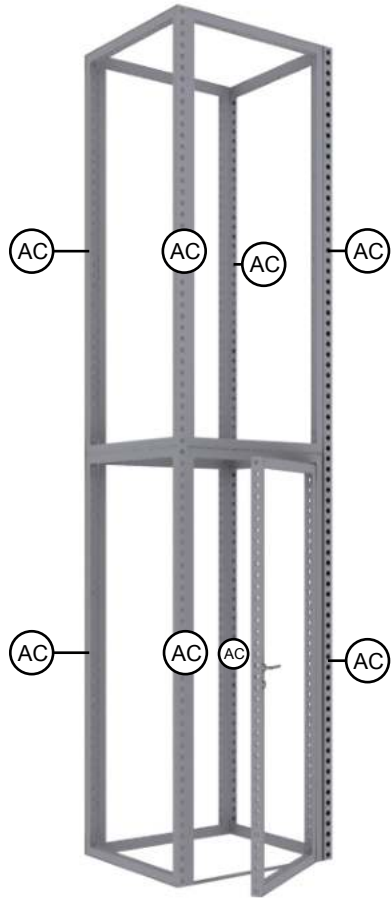
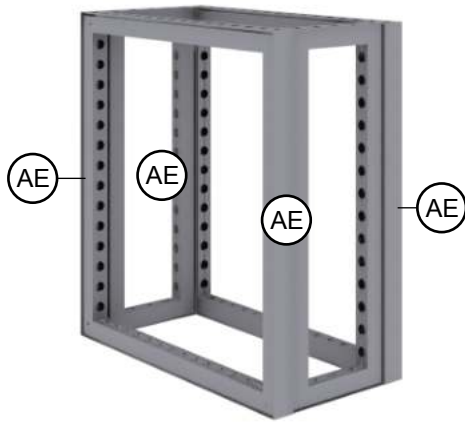
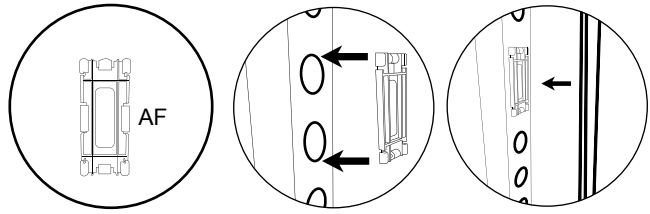
# MODCO 5 - 30x30



## COMPLETE BUILD

| REF | QTY | PART NO.    | DESCRIPTION                        |
|-----|-----|-------------|------------------------------------|
| A1  | 1   | N/A         | TOWER                              |
| A2  | 4   | N/A         | ARCH                               |
| A3  | 4   | N/A         | COUNTER (DOES NOT CONNECT TO ARCH) |
| C   | 8   | MOD-90D-CON | 90° Connector                      |
| B   | 16  | MOD-PC      | Pin Connector                      |

# MODCO 5 - 30x30



| COVER PROFILES |     |                   |   |
|----------------|-----|-------------------|---|
| REF            | QTY | PART NO.          | DESCRIPTION   |
| AC             | 8   | MOD-CP-992x2418   | Cover Profile for Frame 992x2418. Flat Model. Anodized                |
| AF             | 36  | MOD-CC            | Clip Connector Cover Connects Cover Profile                           |
| AE             | 4   | MOD-CP-3100 (39") | 39" Cover Profile, Bar Per 3100mm Cover Profile. Flat Model. Anodized |
| AE             | 2   | MOD-CP-3100 (78") | 78" Cover Profile, Bar Per 3100mm Cover Profile. Flat Model. Anodized |
| AG             | 8   | MOD-CP-774        | Curved Cover profile 774mm(R1/4)                                      |
| AH             | 16  | MOD-PCWP-B        | Pin connector(use with profile cover)                                 |
| AI             | 16  | MOD-SN-28MM       | 28mm screw nut  |