

MODCO 15 - 20X10

MODCO MODULAR EXHIBITS

PRODUCT CODE: MODCO15-20x10G



On frame On graphic



PRODUCT DESCRIPTION

Modco Modular Display 15 is a three-dimensional 20' x 10' pre-designed configuration featuring two separate 10' x 10' exhibit rooms. Stylish and lively, these rooms are built using tool-free perforated modular aluminum frames. Multiple size frames connect using toolless pin connectors for a quick and easy build. Each room features a door w/ lockset and key. Perforations are completely covered for a flawless finish.

DISPLAY DIMENSIONS	234"W x 95.25"H x 95.25"D		
GRAPHIC SIZES	PANEL	SIZE	QTY
	S	118.375"W x 96.25"H	10
	T	79.25"W x 96.25"H	4
	O	35.25"W x 94.375"H	4
TOTAL PRINTS			18

GRAPHIC MATERIAL

Stretch Fabric w/ Integrated Block Out

GRAPHIC FINISHING

Silicone beading is sewn around the perimeter of the fabric graphic. Silicone beading is hidden from view once installed.

DISPLAY CONSTRUCTION

Aluminum frame and components

SHIPPING WEIGHTS & DIMENSIONS (FREIGHT ONLY)

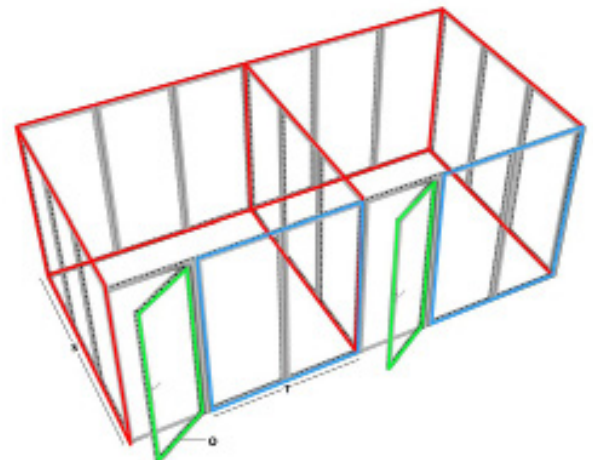
Shipping Weight	1167lbs (frame & graphics in crate)
Shipping Dimensions	104"L x 44"W x 54"H (in crate)

GRAPHIC TURN AROUND TIME

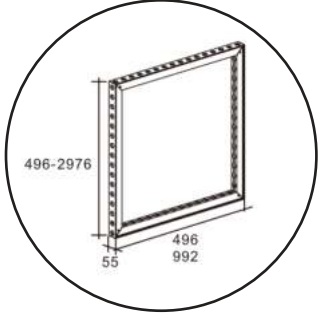
5 business days after proof approval

AVAILABILITY	CA only
--------------	---------

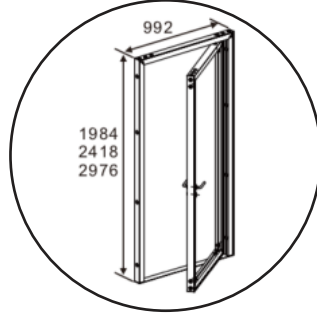
QTY	PART NO.	DESCRIPTION
19	MOD-FRM-992x2418	Straight Frame, Corner Screw Connect 992mm x 2418mm
84	MOD-PC	Pin Connector
8	MOD-90D-CON	90° Connector
8	MOD-SM90D-CON	90° Connector
26	MOD-CLA-CON	Clamp Connector
28	MOD-180D-CON	180 Degree Connector
2	MOD-DSWL-992x2418	Door Set w/ Lock 992mm x 2418mm
4	MOD-PCWP-A	Pin Connector for Door Jamb
2	MOD-T-90DCON	T Shape 3 Way 90 Degree Connector Used per Set of 2pcs
6	MOD-DCC-180D	Door Clamp Connector, 180 Degrees (Connect to Wall Frame)
4	MOD-CP-992x2418	Cover Profile for Frame 992x2418. Flat Model. Anodized
12	MOD-CC	Clip Connector Cover Connects Cover Profile
84	MOD-FP	Modco Frame Protector



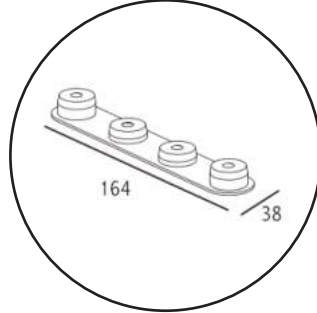
PARTS REFERENCE



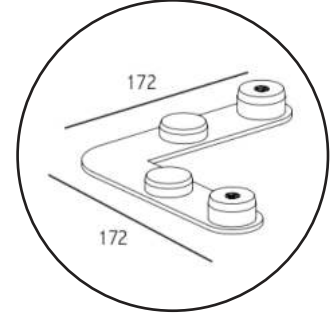
MOD-FRM-992X2418



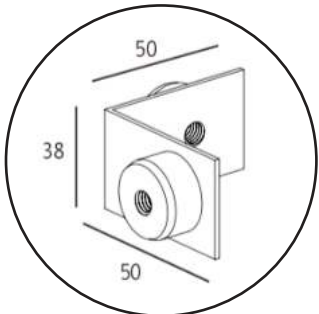
MOD-DSWL-992X2418



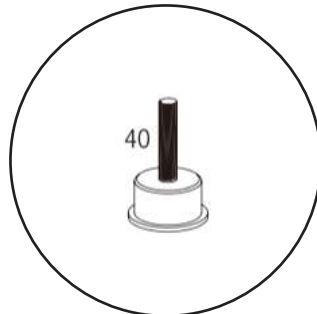
MOD-180D-CON



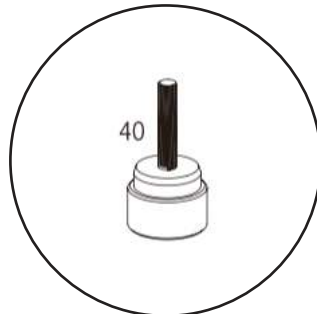
MOD-90D-CON



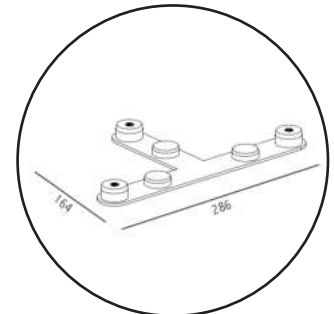
MOD-SM90D-CON



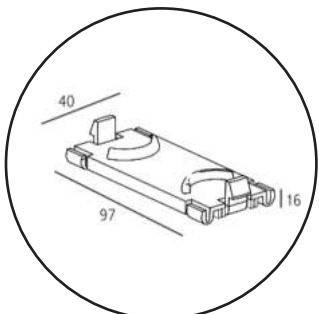
MOD-PCWP-A



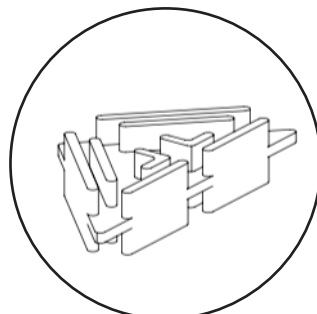
MOD-PC



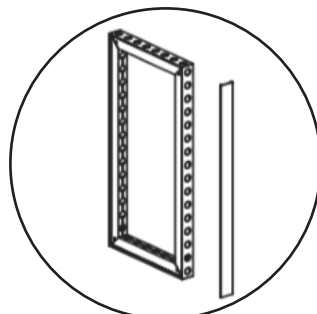
MOD-T-90D-CON



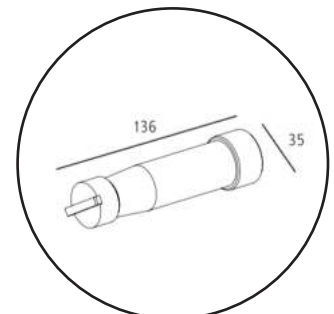
MOD-CC



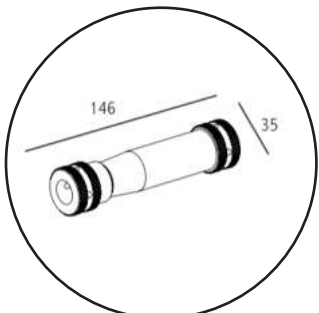
MOD-FP



MOD-CP-992X2418

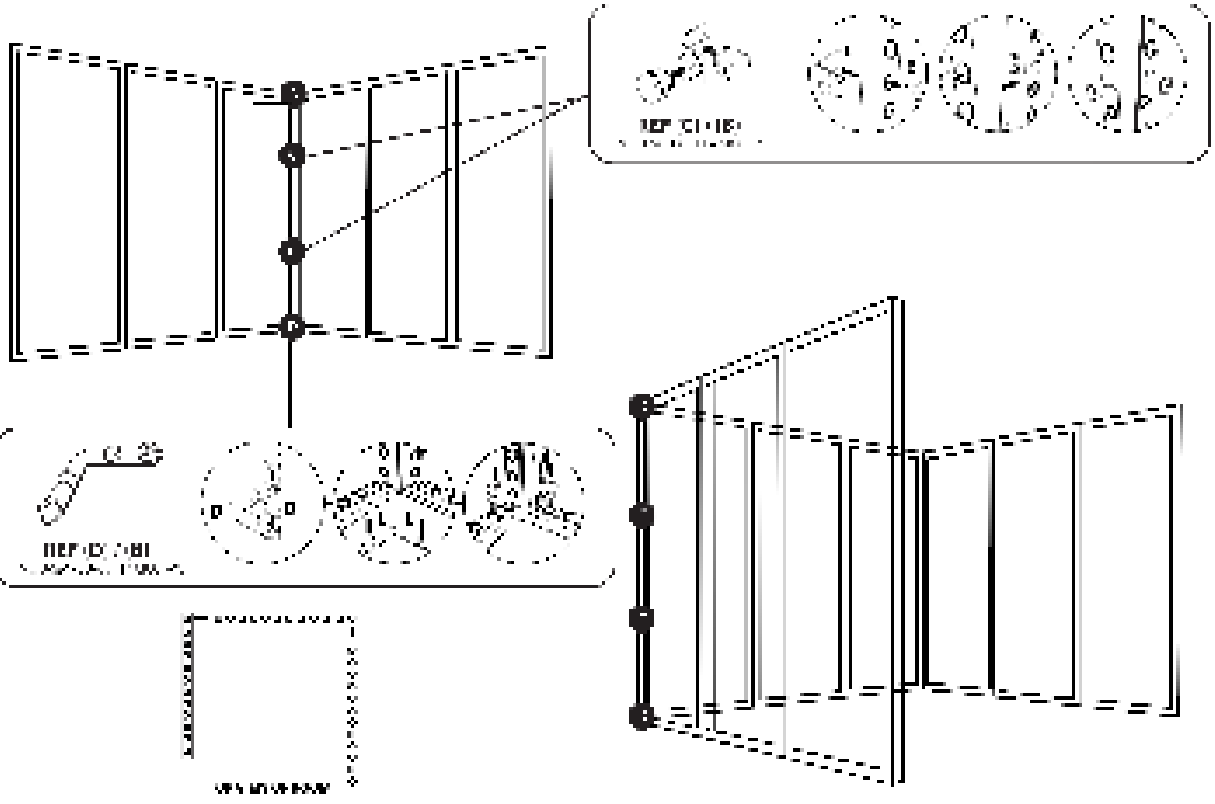
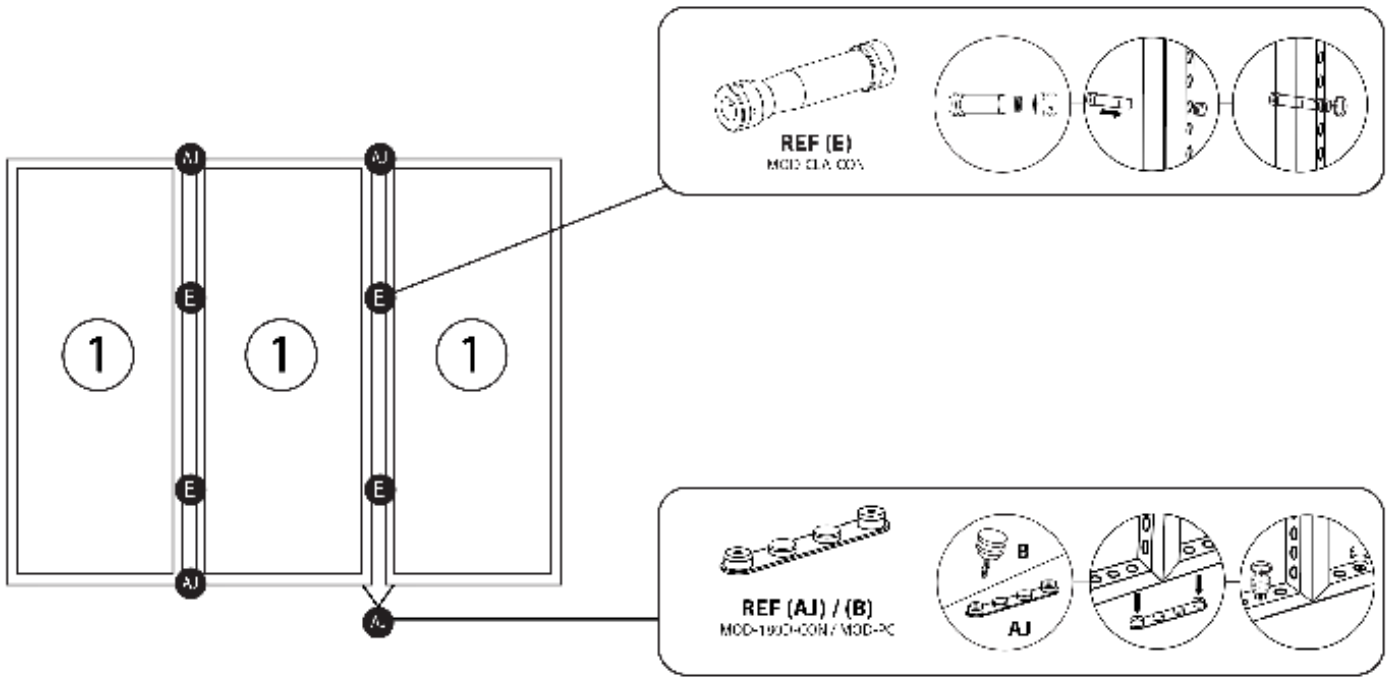


MOD-DCC-180D



MOD-CLA-CON

INSTRUCTIONS



INSTRUCTIONS

