

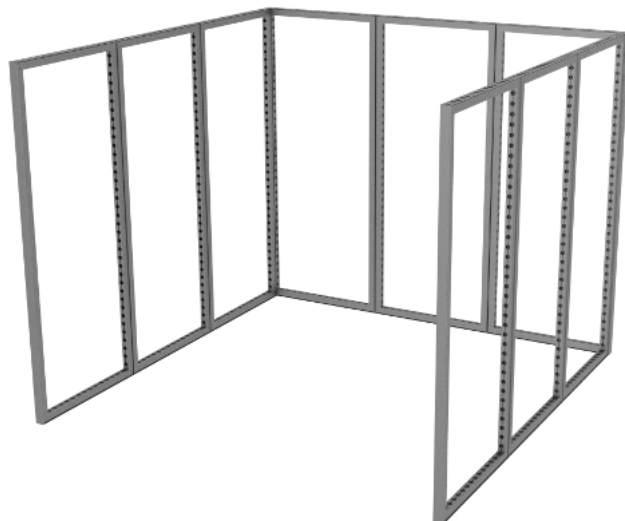
MODCO 19 - 10X10

MODCO MODULAR EXHIBITS

PRODUCT CODE: MODCO19-10x10G



On frame On graphic



PRODUCT DESCRIPTION

Modco Modular Display 19 is a three-dimensional 10' x 10' pre-designed exhibit booth. Stylish and lively, it incorporates a 10' wide backwall with two 10' return sidewalls. This booth is made up of tool-free perforated modular aluminum frames and assembled with toolless pin connectors. Perforations are completely covered for a flawless finish.

DISPLAY DIMENSIONS	234"W x 95.25"H x 95.25"D		
GRAPHIC SIZES	PANEL	SIZE	QTY
	S	118.375"W x 96.25"H	18
	TOTAL PRINTS		18

GRAPHIC MATERIAL

Stretch Fabric w/ Integrated Block Out

GRAPHIC FINISHING

Silicone beading is sewn around the perimeter of the fabric graphic. Silicone beading is hidden from view once installed.

DISPLAY CONSTRUCTION

Aluminum frame and components

SHIPPING WEIGHTS & DIMENSIONS (FREIGHT ONLY)

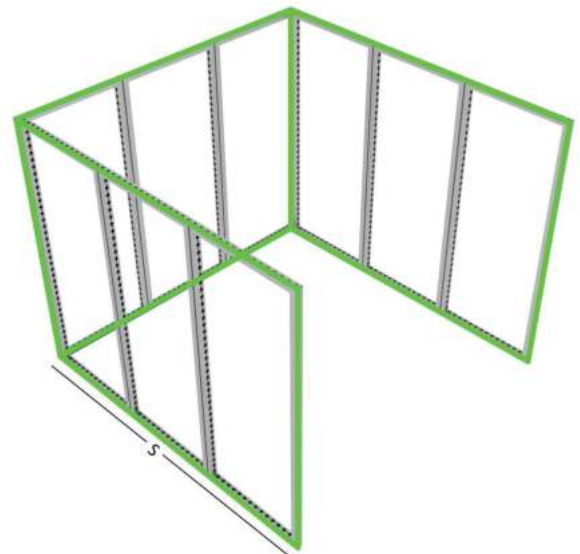
Shipping Weight	385lbs (frame & graphics on skid)
Shipping Dimensions	104"L x 40"W x 7.5"H (on skid)

GRAPHIC TURN AROUND TIME

5 business days after proof approval

AVAILABILITY	CA only
--------------	---------

PARTS LIST		
QTY	PART NO.	DESCRIPTION
9	MOD-FRM-992x2418	Straight Frame, Corner Screw Connect 992mm x 2418mm
40	MOD-PC	Pin Connector
4	MOD-90D-CON	90° Connector
4	MOD-SM90D-CON	90° Connector
12	MOD-CLA-CON	Clamp Connector
12	MOD-180D-CON	180 Degree Connector
4	MOD-CP-992x2418	Cover Profile for Frame 992x2418, Flat Model, Anodized
12	MOD-CC	Clip Connector Cover Connects Cover Profile
36	MOD-FP	Modco Frame Protector



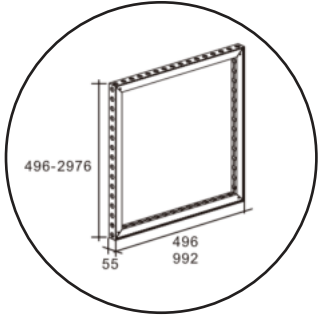
MODCO 19 - 10X10

MODCO MODULAR EXHIBITS
PRODUCT CODE: MODCO19-10x10G

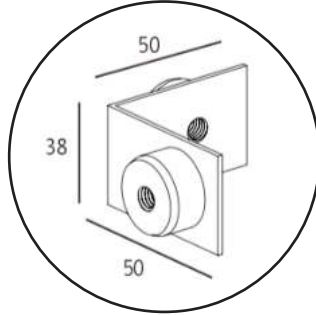


On frame On graphic

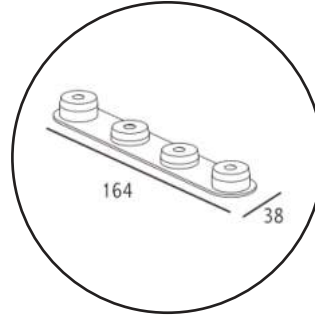
PARTS REFERENCE



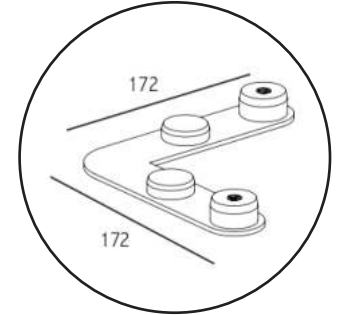
MOD-FRM-992X2418



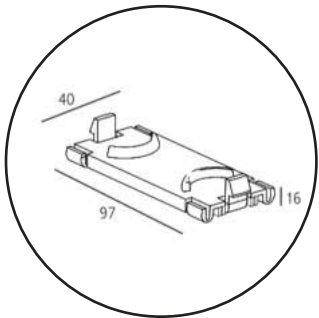
MOD-90D-CON



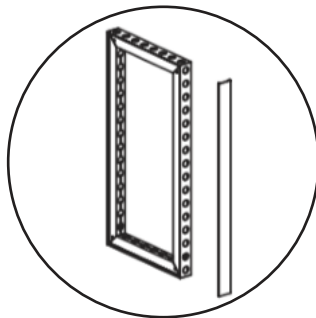
MOD-180D-CON



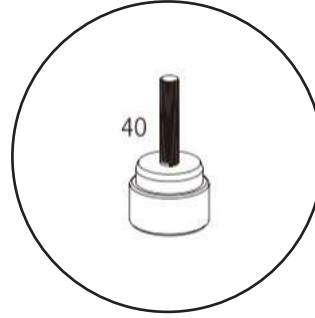
MOD-SM90D-CON



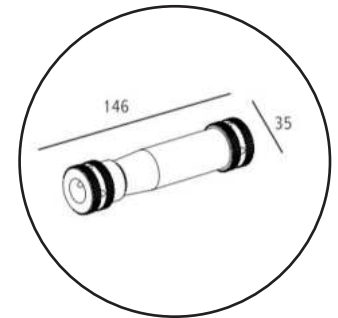
MOD-CC



MOD-CP-992X2418

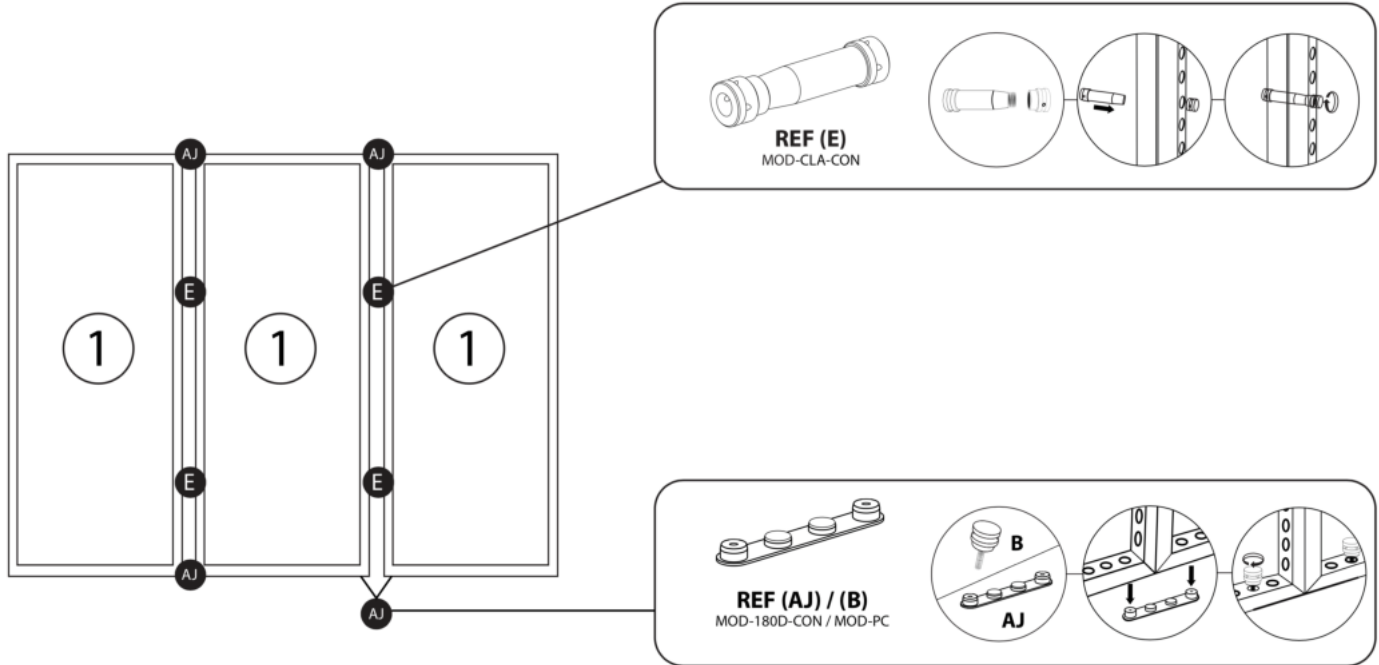


MOD-PC



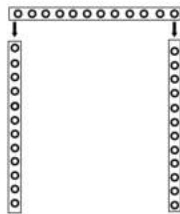
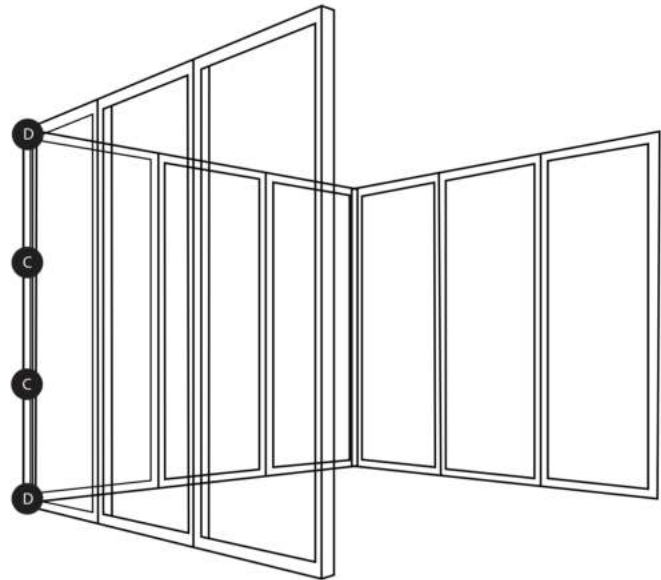
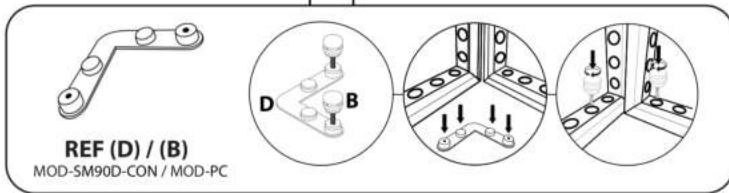
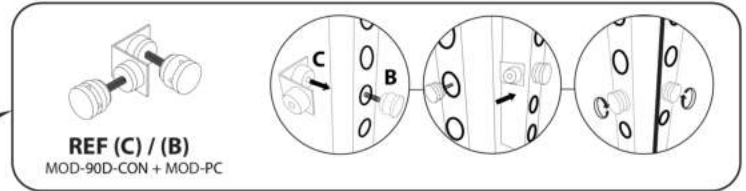
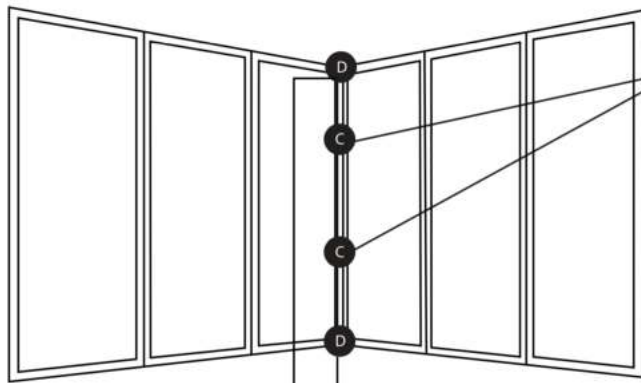
MOD-CLA-CON

INSTRUCTIONS



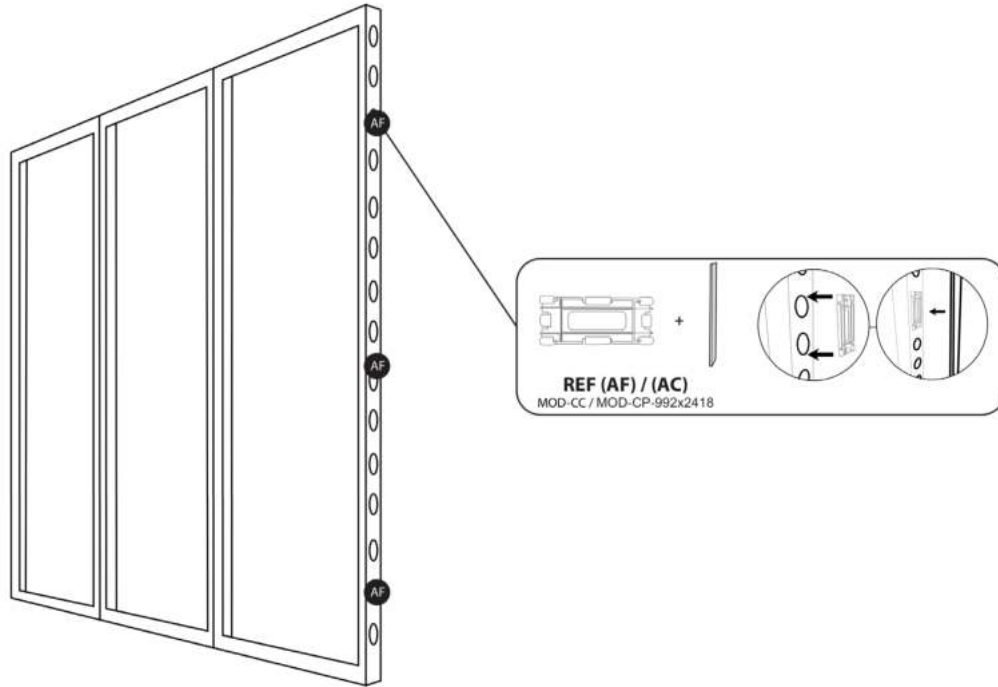
REF	QTY	PART NO.	DESCRIPTION
1	8	MOD-FRM-992x2418	Straight Frame, Corner Screw Connect 992mm x 2418mm
B	40	MOD-PC	Pin Connector
C	4	MOD-90D-CON	90° Connector
D	4	MOD-90D-CON	90° Connector
E	12	MOD-CLA-CON	Clamp Connector
AJ	12	MOD-180D-CON	180 Degree Connector

INSTRUCTIONS



TOP VIEW OF ROOM

INSTRUCTIONS



COVER PROFILES & ACCESSORIES			
REF	QTY	PART NO.	DESCRIPTION
AC	4	MOD-CP-992x2418	Cover Profile for Frame 992x2418, Flat Model, Anodized
AF	12	MOD-CC	Clip Connector Cover Connects Cover Profile
AL	36	MOD-FP	Modco Frame Protector



Place graphic over the front of the frame.



Begin inserting SE's beading at each corner.



Insert the silicone beading with the fabric folded over. The silicone beading should not be exposed.



Using your fingers, push both fabric and silicone beading completely into the extrusions channel.



Continue to push in the remaining silicone beading on each side.



Check the perimeter of the frame for any excess beading that hasn't been pushed in. Graphic should be taut.