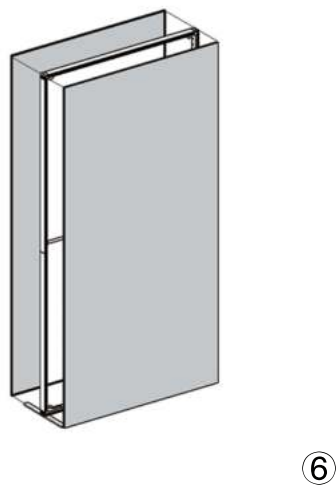
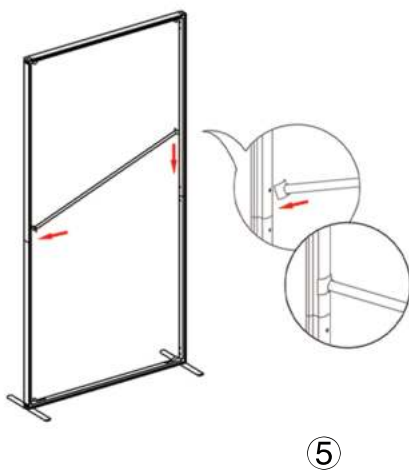
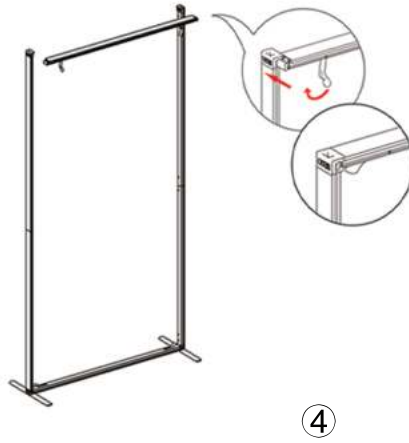
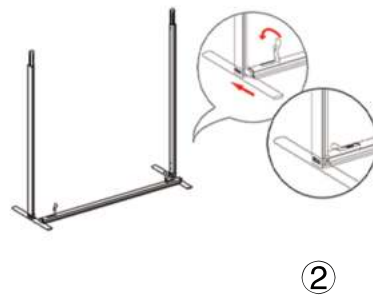
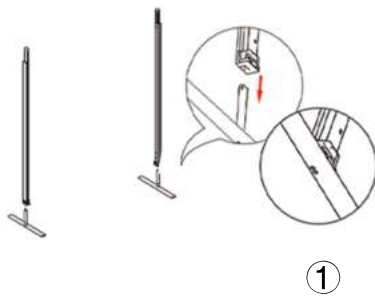
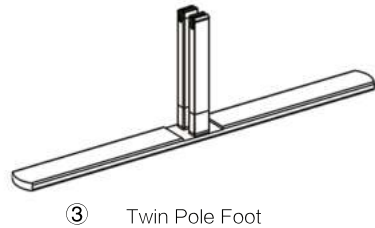
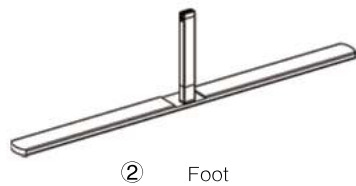
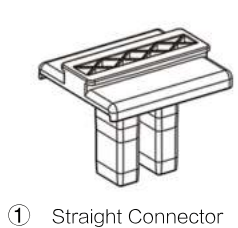
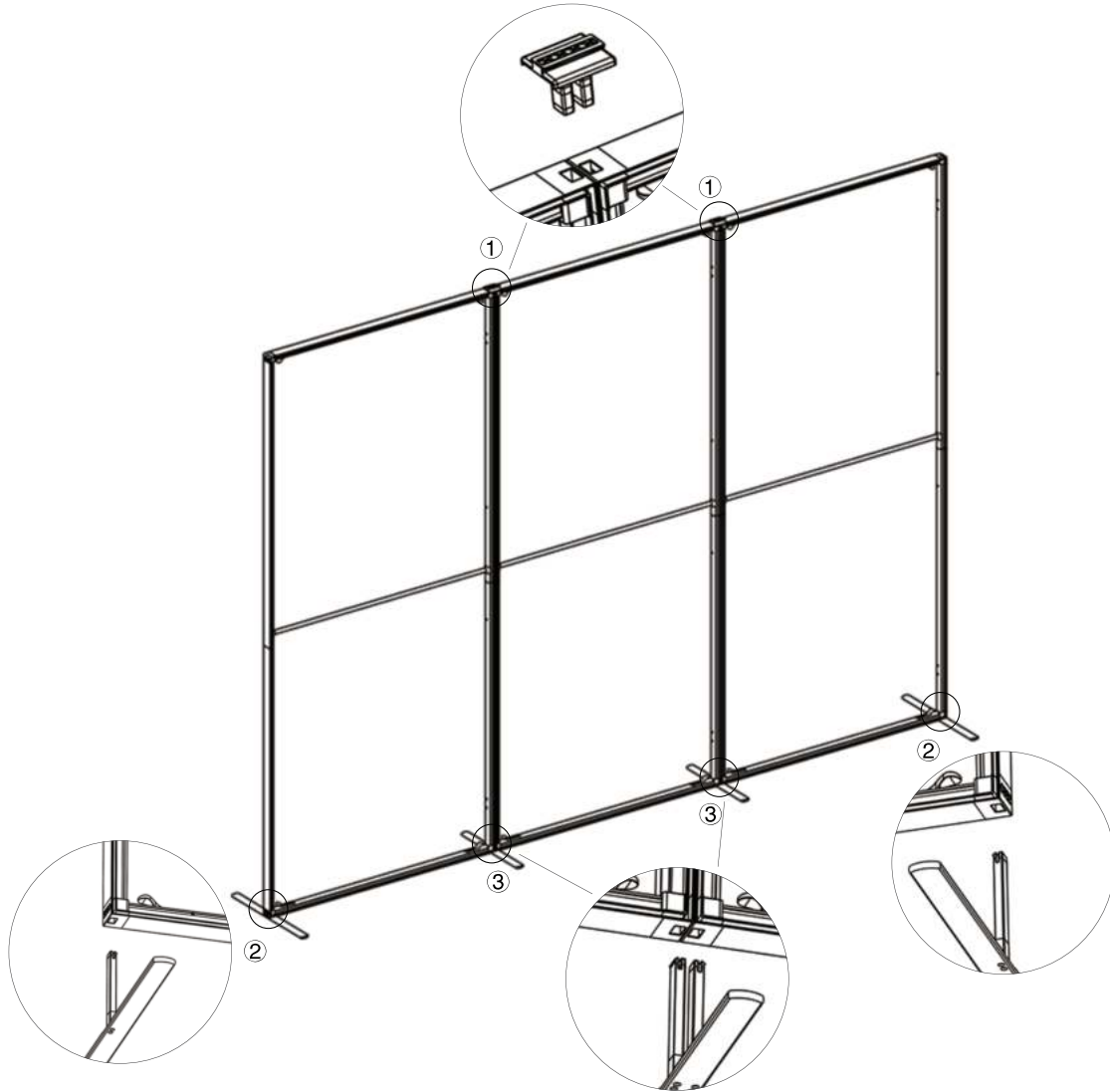


SET UP INSTRUCTIONS SINGLE FRAME ASSEMBLY



SET UP INSTRUCTIONS 3 FRAME CONNECTION (QSEG 9.8 X 7.4FT)



SET UP INSTRUCTIONS TRADESHOW BOOTH ASSEMBLY

