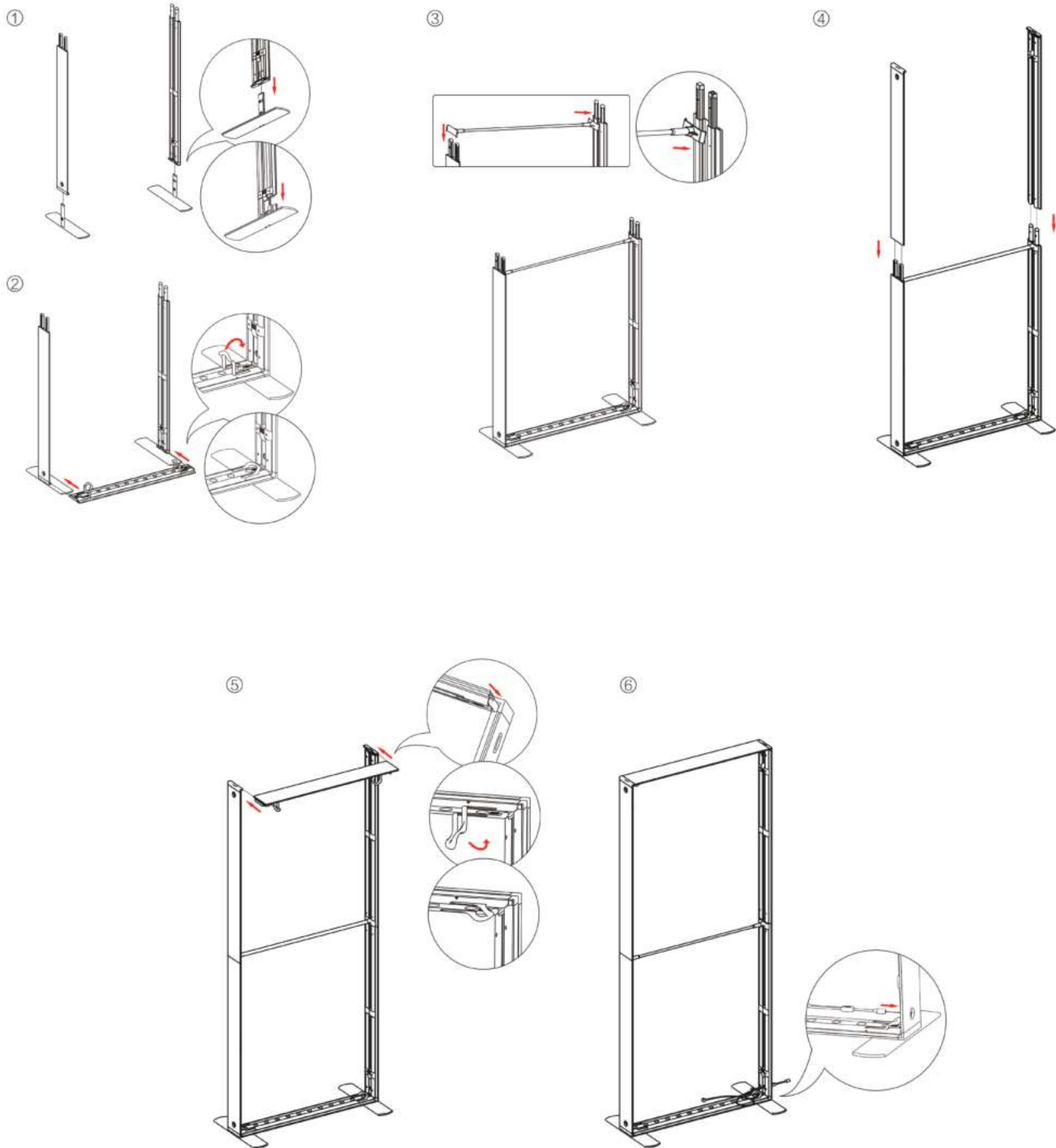
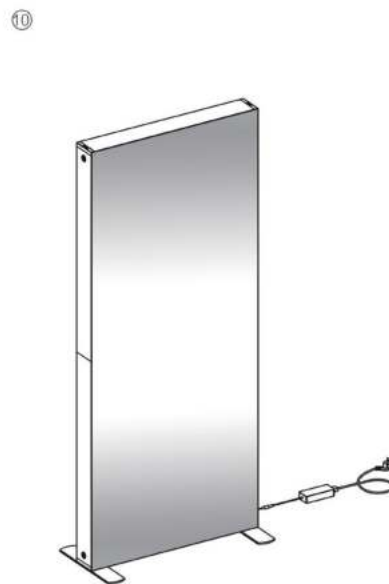
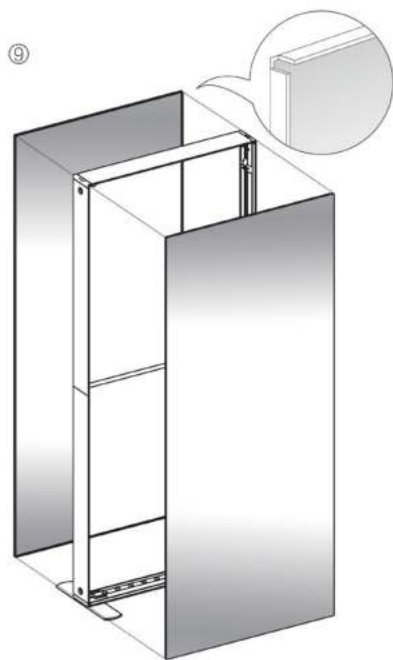
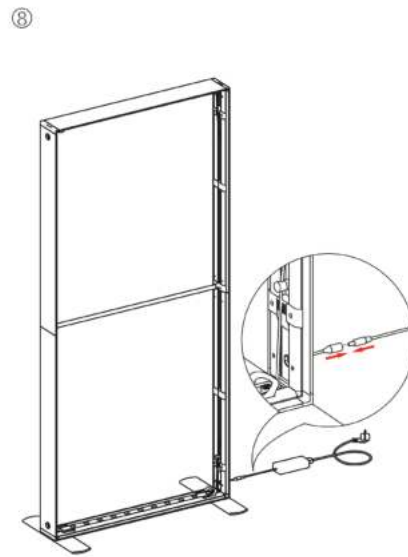
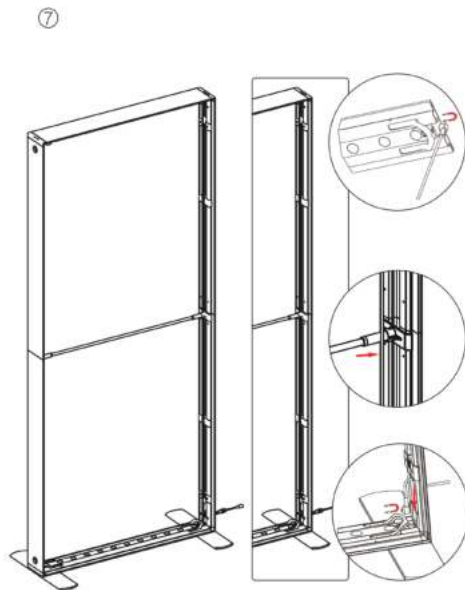


SET UP INSTRUCTIONS SEGO 100X225 FRAME ASSEMBLY



SEGO CONFIGURATION J

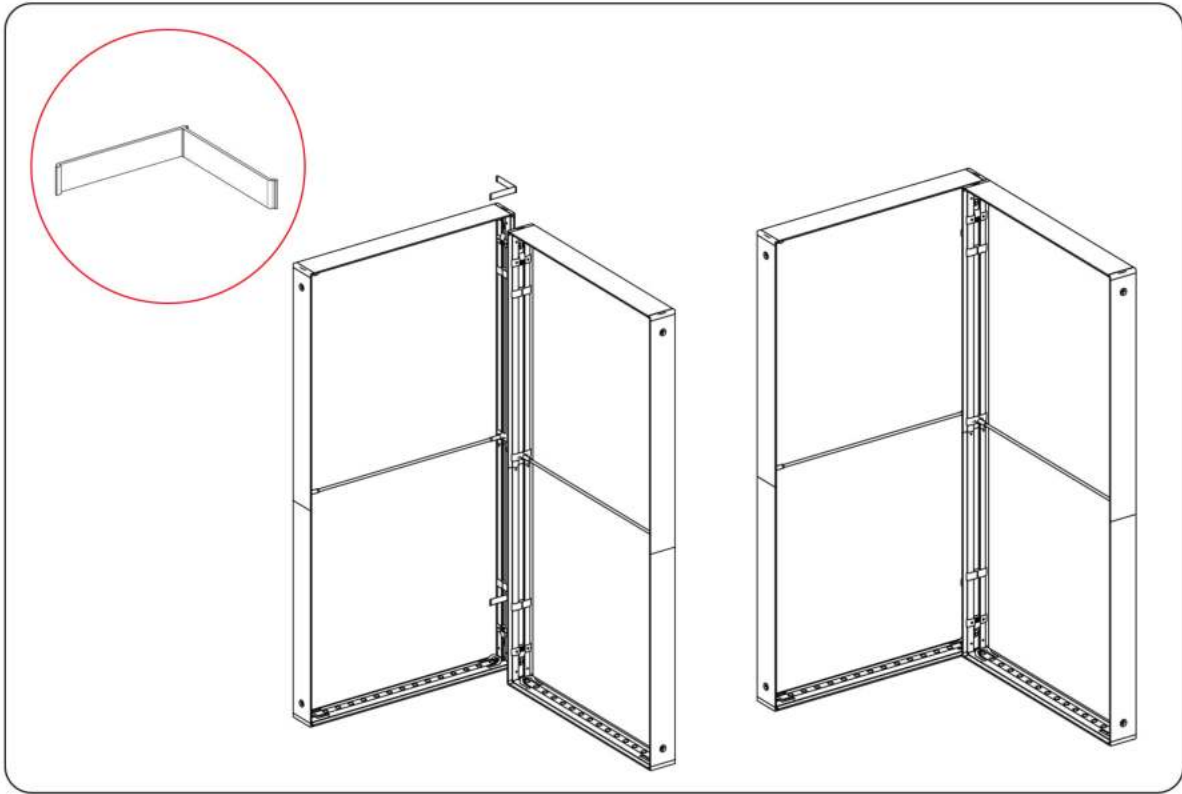
SEGO MODULAR LIGHTBOX DISPLAY
PRODUCT CODE:SEGO-J-20x10G



SEGO CONFIGURATION J

SEGO MODULAR LIGHTBOX DISPLAY
PRODUCT CODE:SEGO-J-20x10G

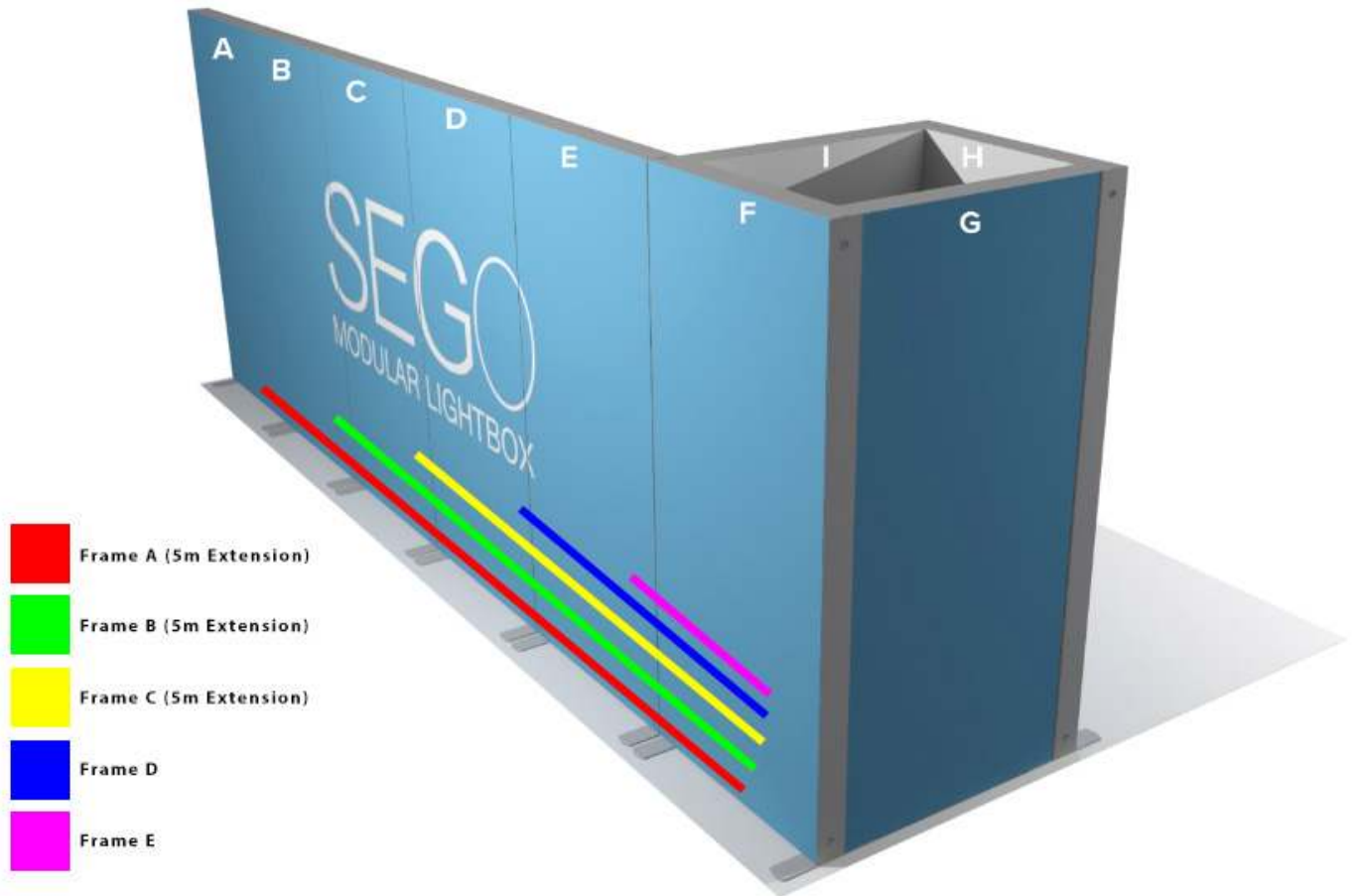
FRAME CONNECTION



SEGO CONFIGURATION J

SEGO MODULAR LIGHTBOX DISPLAY
PRODUCT CODE:SEGO-J-20x10G

TRANSFORMER WIRING CONNECTION



**We recommend routing all wiring and transformers towards "room" made from frames F,G,H, & I
Reference diagram above and legend to left on how to route wiring and when to use 5m extension wire**