

SEGO CONFIGURATION J

SEGO MODULAR LIGHTBOX DISPLAY
 PRODUCT CODE:SEGO-J-20x10G



On frame On graphic



PRODUCT DESCRIPTION

The advanced technology of the new SEGO modular lightbox system combines innovation with intuition. Toolless down to its feet, SEGO is designed to help heighten your display experience. Magnetic electrical connectors light up the UL certified LED lights that come pre-installed in the profiles. Electrical wires stay hidden from view. Edge-to-edge customizable SEG backlit fabric graphics cover the front and back of the aluminum frame. Portable, configurable, desirable, SEGO is a lightbox unlike the others. SEGO is so well thought out, even its durable foam cut carry bag is made distinctly to keep all parts and pieces protected and organized.

DISPLAY DIMENSIONS	236.25"W x 88.25"H x 43.75"D
GRAPHIC SIZES	39.625"W x 88.625"H (each frame)

GRAPHIC MATERIAL

Dye Sub Backlit Fabric

GRAPHIC FINISHING

Silicone beading sewn onto edge of graphic

DISPLAY CONSTRUCTION

Aluminum extrusion frame with plastic components

SHIPPING WEIGHTS & DIMENSIONS

Shipping Weight (each box)	30 lbs (frame only)
9 boxes total	32 lbs (frame & graphic)

GRAPHIC TURN AROUND TIME

2 business days after proof approval (up to 2 configurations)

AVAILABILITY	CA
--------------	----

LED LIGHT SPECIFICATION

BRAND	Osram
POWER	3W
CCT (COLOR TEMP)	6800k
AVERAGE BEAM ANGEL	20 °
LM/W	130
AVG LM/M ²	4800-5800
VOLTAGE INPUT	24V

LUMENS (EACH FRAME)

VOLTAGE (V)	24
POWER (W)	90
LM/W	130
TOTAL LM	11700
AVG LM	5850
CU	.8
EAV	4680

TRANSFORMER SPECIFICATION

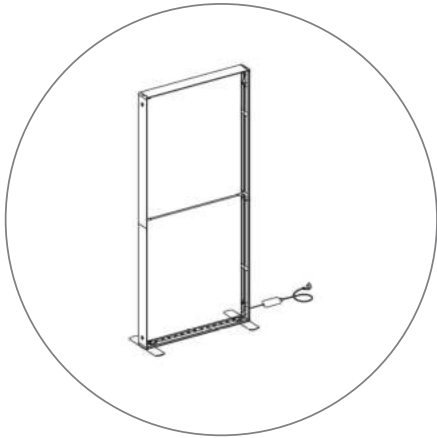
POWER RATE 2 TRANSFORMERS	95W, 252W
CERTIFICATES	UL, CE, GEM
VOLTAGE INPUT	100-240V
VOLTAGE OUTPUT	24V



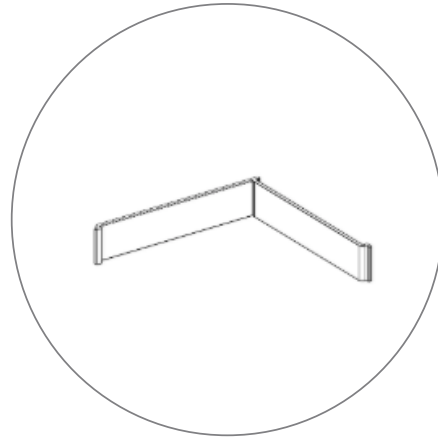
SEGO CONFIGURATION J

SEGO MODULAR LIGHTBOX DISPLAY
PRODUCT CODE:SEGO-J-20x10G

PARTS LIST



(qty 9)
SEGO-100X225X12



(qty 8)
SEGO-ILCON



(qty 5)
SEGO-SCON



(qty 3)
SEGO-5MWIRE

SEGO CONFIGURATION J

SEGO MODULAR LIGHTBOX DISPLAY
PRODUCT CODE:SEGO-J-20x10G

SEGO Configuration J Template Guide

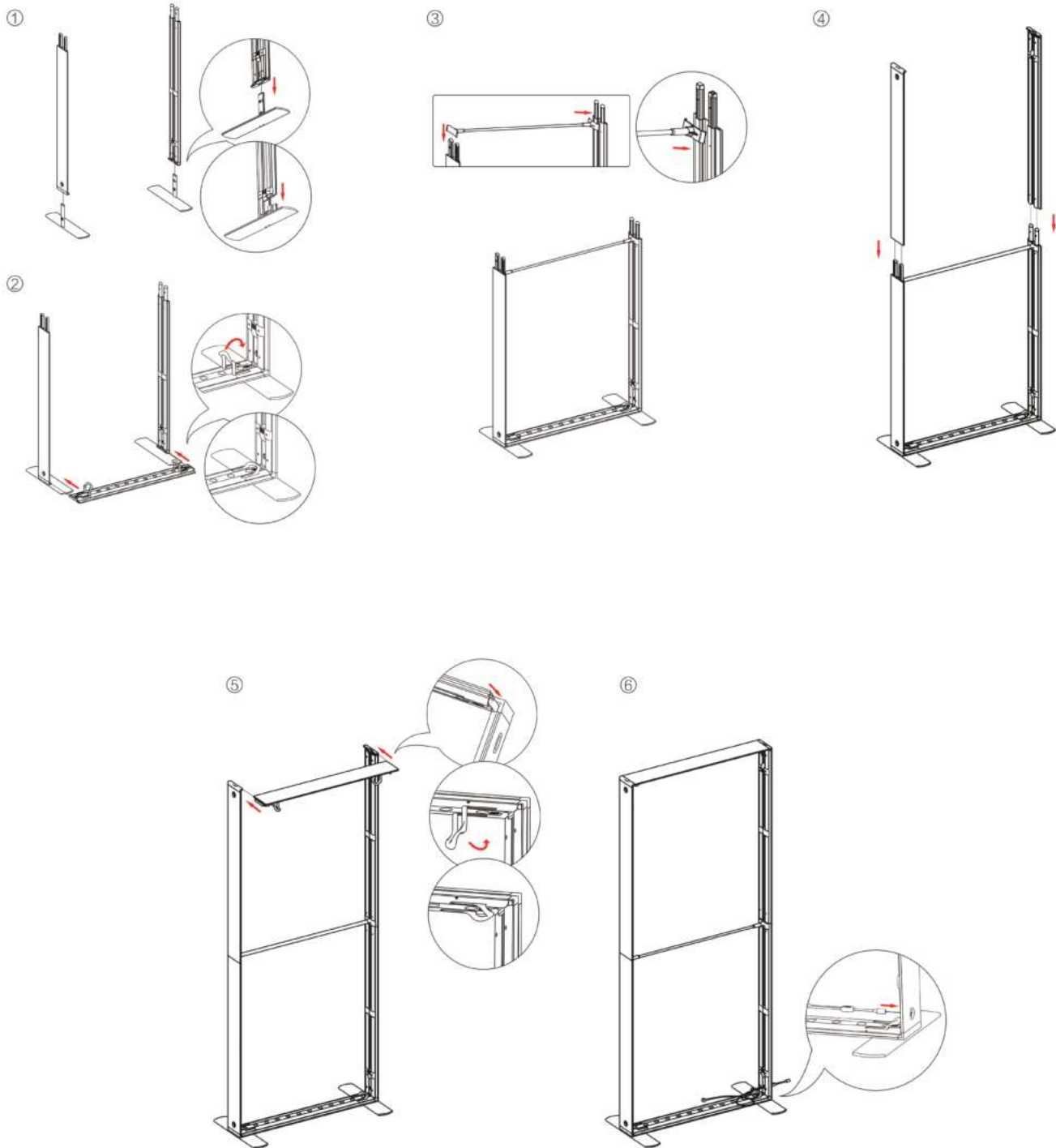


Frame	Template Dims	Notes
A	39.75" x 88.625"	-
B	39.75" x 88.625"	-
C	39.75" x 88.625"	-
D	39.75" x 88.625"	-
E	39.75" x 88.625"	-
F	39.75" x 88.625"	Front graphic = blackout panel
G	39.75" x 88.625"	Front graphic = blackout panel
H	39.75" x 88.625"	Back graphic = blackout panel
I	39.75" x 88.625"	Back graphic = blackout panel

SEGO CONFIGURATION J

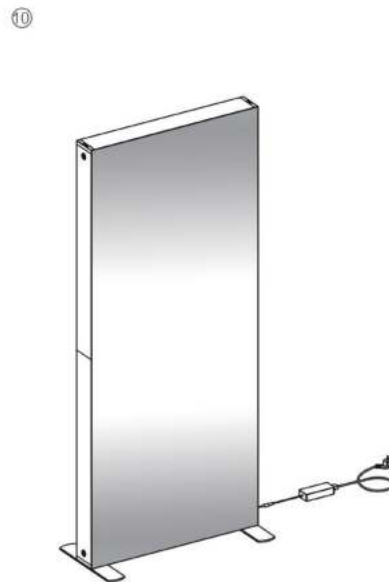
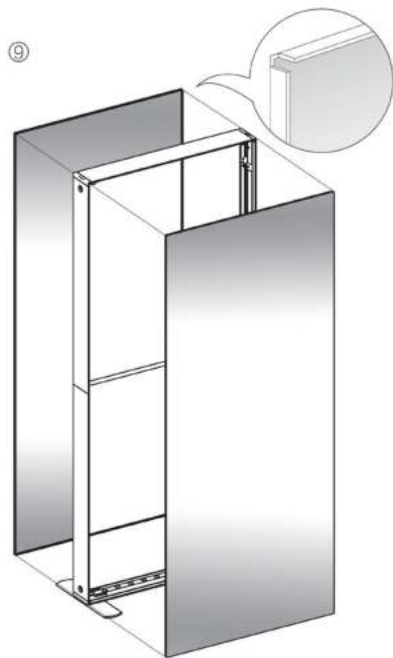
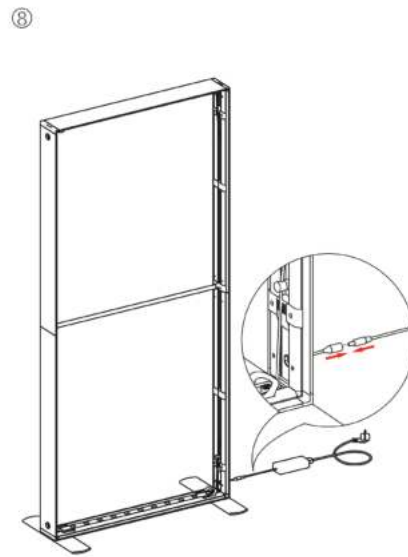
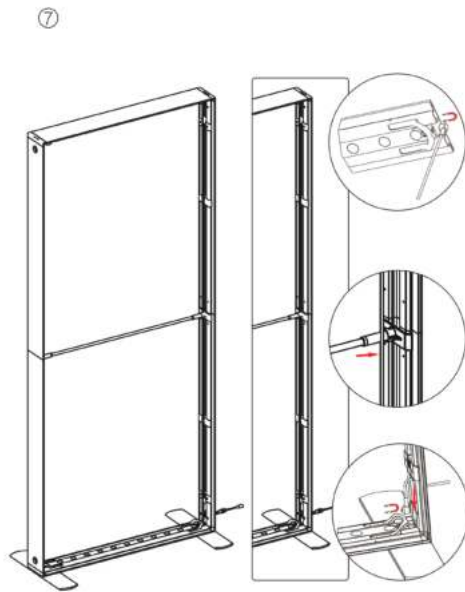
SEGO MODULAR LIGHTBOX DISPLAY
PRODUCT CODE:SEGO-J-20x10G

SET UP INSTRUCTIONS SEGO 100X225 FRAME ASSEMBLY



SEGO CONFIGURATION J

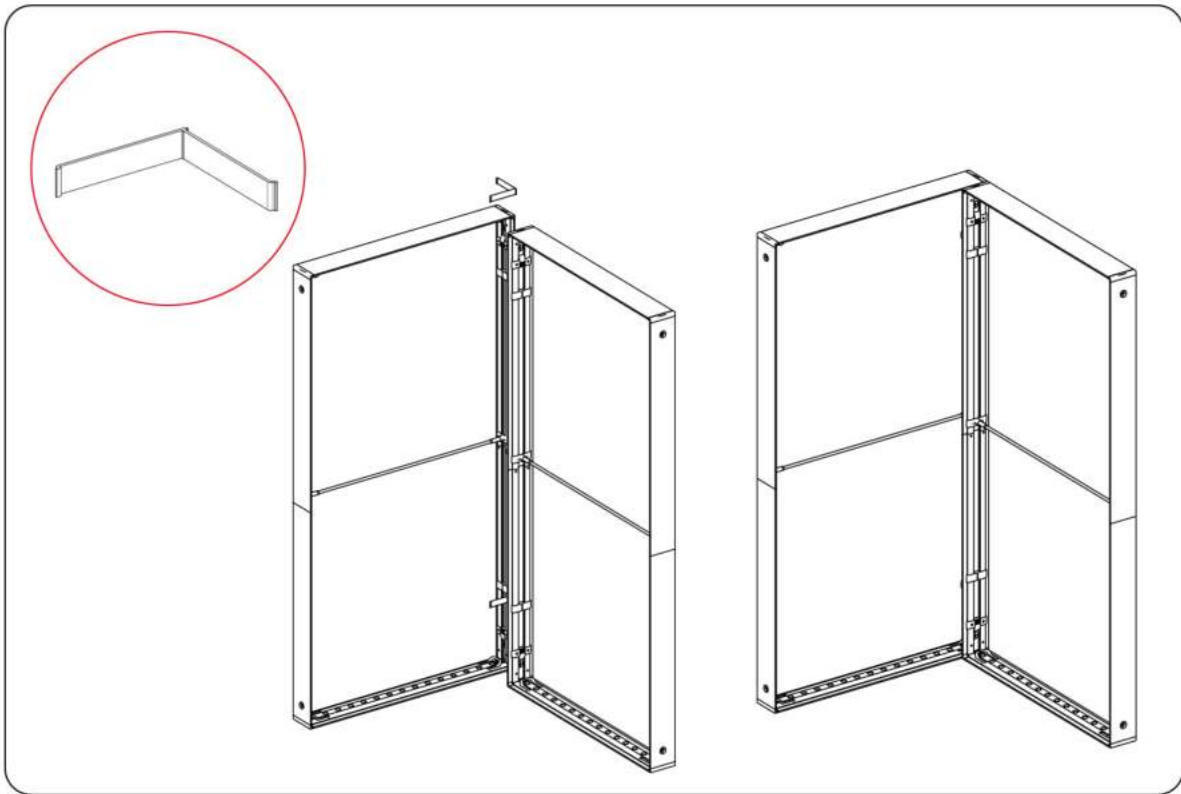
SEGO MODULAR LIGHTBOX DISPLAY
PRODUCT CODE:SEGO-J-20x10G



SEGO CONFIGURATION J

SEGO MODULAR LIGHTBOX DISPLAY
PRODUCT CODE:SEGO-J-20x10G

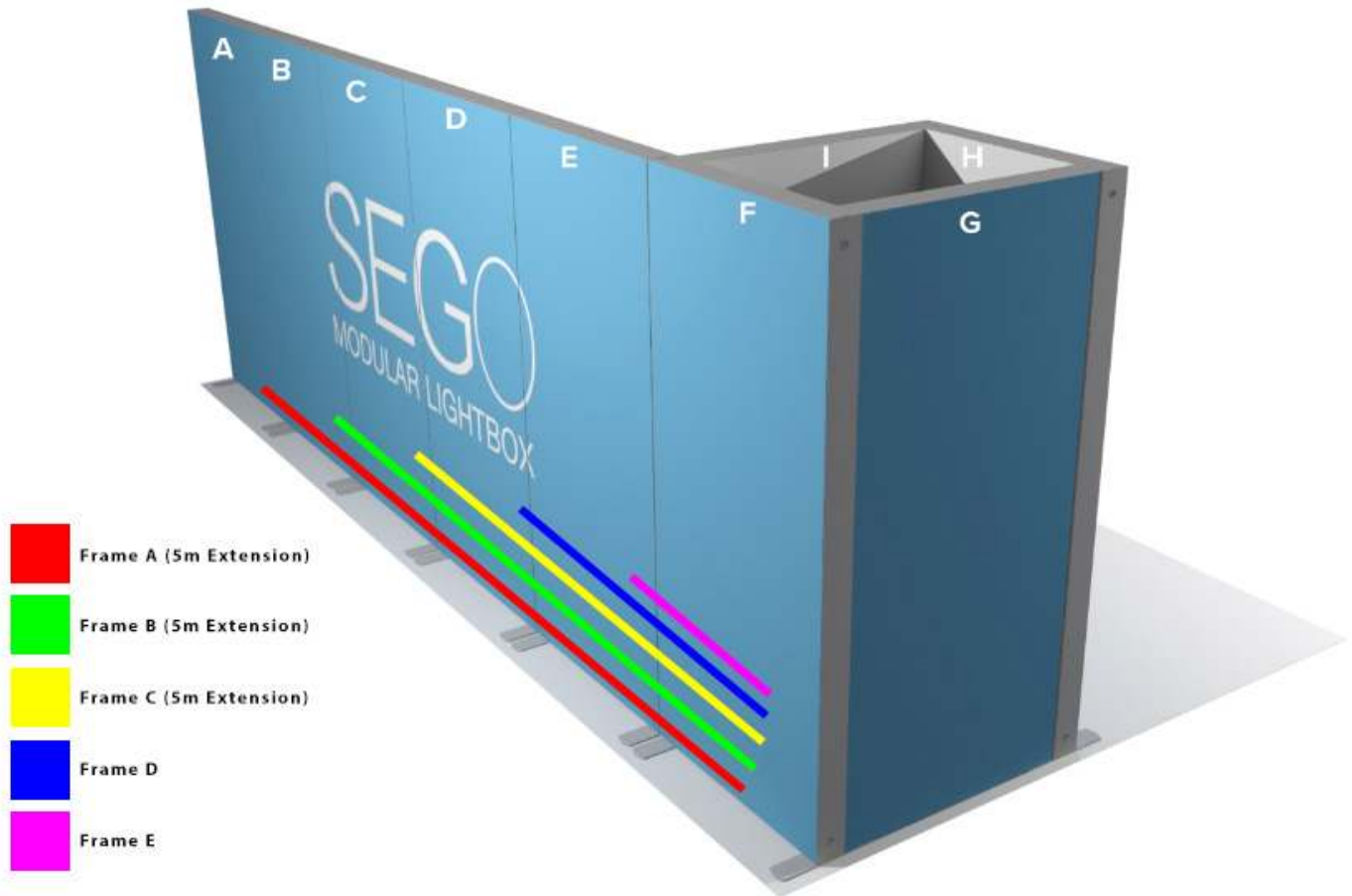
FRAME CONNECTION



SEGO CONFIGURATION J

SEGO MODULAR LIGHTBOX DISPLAY
PRODUCT CODE:SEGO-J-20x10G

TRANSFORMER WIRING CONNECTION



**We recommend routing all wiring and transformers towards "room" made from frames F,G,H, & I
Reference diagram above and legend to left on how to route wiring and when to use 5m extension wire**