

SEGO CONFIGURATION K

SEGO MODULAR LIGHTBOX DISPLAY

PRODUCT CODE:SEGO-K-10x10G



On frame On graphic



LAYOUT 1



LAYOUT 2



LAYOUT 3

PRODUCT DESCRIPTION

The advanced technology of the new SEGO modular lightbox system combines innovation with intuition. Toolless down to its feet, SEGO is designed to help heighten your display experience. Magnetic electrical connectors light up the UL certified LED lights that come pre-installed in the profiles. Electrical wires stay hidden from view. Edge-to-edge customizable SEG backlit fabric graphics cover the front and back of the aluminum frame. Portable, configurable, desirable, SEGO is a lightbox unlike the others. SEGO is so well thought out, even its durable foam cut carry bag is made distinctly to keep all parts and pieces protected and organized. SEGO Configuration K is a set of 4 frames, counter, and 3 styles of SEGO connectors allowing for different configurations utilizing the same frames.

DISPLAY DIMENSIONS	236.25"W x 88.25"H x 43.75"D
GRAPHIC SIZE (100X225)	39.625"W x 88.625"H (each frame)
GRAPHIC SIZE (COUNTER)	39.625"W x 39.75"H

GRAPHIC MATERIAL

Dye Sub Backlit Fabric

GRAPHIC FINISHING

Silicone beading sewn onto edge of graphic

DISPLAY CONSTRUCTION

Aluminum extrusion frame with plastic components

SHIPPING WEIGHTS & DIMENSIONS

Shipping Weight (100x225) 4 boxes total	30 lbs (frame only) 32 lbs (frame & graphic)
Shipping Weight (counter)	28.5 lbs (frame only) 30.5 lbs (frame & graphic)

GRAPHIC TURN AROUND TIME

2 business days after proof approval (up to 2 configurations)

AVAILABILITY	CA
--------------	----

LED LIGHT SPECIFICATION		LUMENS (EACH FRAME)	
BRAND	Osram	VOLTAGE (V)	24
POWER	3W	POWER (W)	90
CCT (COLOR TEMP)	6800k	LM/W	130
AVERAGE BEAM ANGLE	20°	TOTAL LM	11700
LM/W	130	AVG LM	5850
AVG LM/M ²	4800-5800	CU	.8
VOLTAGE INPUT	24V	EAV	4680

TRANSFORMER SPECIFICATION	
POWER RATE 2 TRANSFORMERS	95W, 252W
CERTIFICATES	UL, CE, GEM
VOLTAGE INPUT	100-240V
VOLTAGE OUTPUT	24V

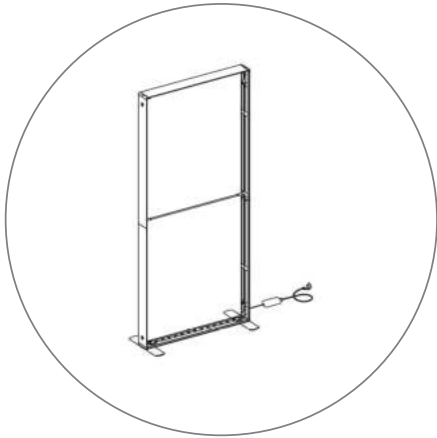


SEGO CONFIGURATION K

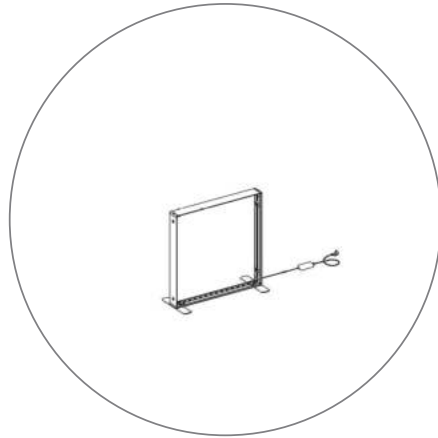
SEGO MODULAR LIGHTBOX DISPLAY

PRODUCT CODE:SEGO-K-10x10G

PARTS LIST



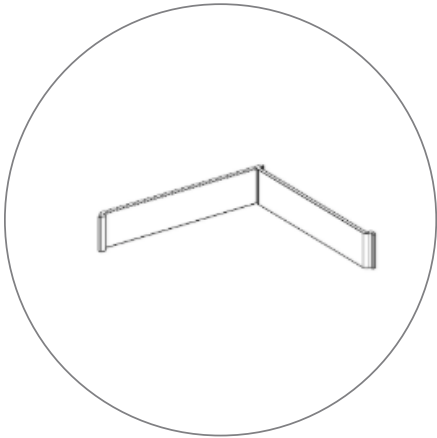
(qty 4)
SEGO-100X225X12



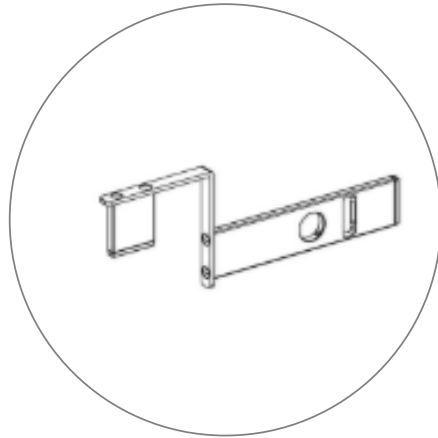
(qty 1)
SEGO-CNTR



(qty 3)
SEGO-SCON



(qty 2)
SEGO-ILCON



(qty 4)
SEGO-BC



(qty 2)
SEGO-5MWIRE
(For Layout 3 Bridge/Support wiring)

SEGO CONFIGURATION K

SEGO MODULAR LIGHTBOX DISPLAY
PRODUCT CODE:SEGO-K-10x10G

SEGO Configuration K Layout 1*

TEMPLATE GUIDE

*Please note which layout you'll be using during file upload



Frame	Template Dims	Notes
A	39.75" x 88.625"	Obstruction on front graphic
B	39.75" x 88.625"	-
C	39.75" x 88.625"	Bridge
D	39.75" x 88.625"	Obstruction on back graphic
E	39.62" x 39.75"	Counter

SEGO CONFIGURATION K

SEGO MODULAR LIGHTBOX DISPLAY
PRODUCT CODE:SEGO-K-10x10G

SEGO Configuration K Layout 2*

TEMPLATE GUIDE

*Please note which layout you'll be using during file upload



Frame	Template Dims	Notes
A	39.75" x 88.625"	Obstruction on front graphic
B	39.75" x 88.625"	-
C	39.75" x 88.625"	Bridge
D	39.75" x 88.625"	Obstruction on back graphic
E	39.62" x 39.75"	Counter

SEGO CONFIGURATION K

SEGO MODULAR LIGHTBOX DISPLAY

PRODUCT CODE:SEGO-K-10x10G

SEGO Configuration K Layout 3*

TEMPLATE GUIDE

*Please note which layout you'll be using during file upload



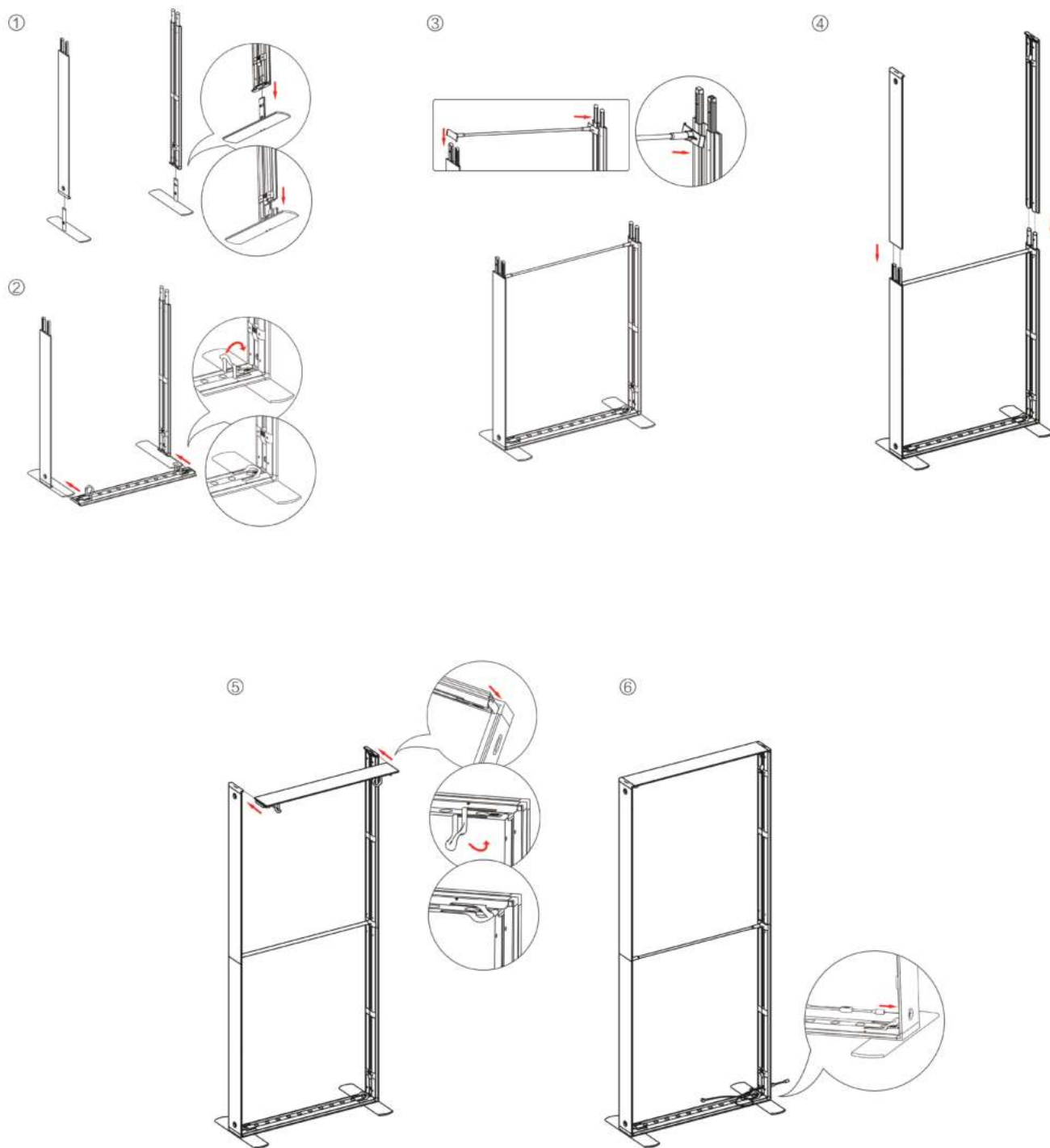
Frame	Template Dims	Notes
A	39.75" x 88.625"	Obstruction on front graphic
B	39.75" x 88.625"	-
C	39.75" x 88.625"	Bridge
D	39.75" x 88.625"	Obstruction on back graphic
E	39.62" x 39.75"	Counter

SEGO CONFIGURATION K

SEGO MODULAR LIGHTBOX DISPLAY

PRODUCT CODE:SEGO-K-10x10G

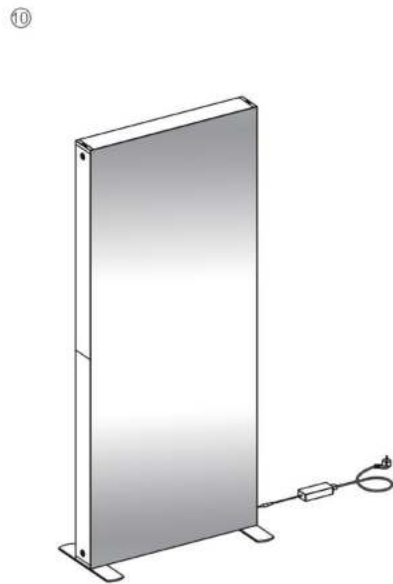
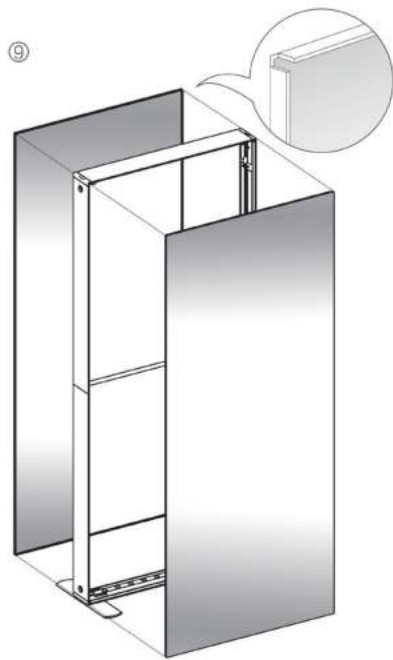
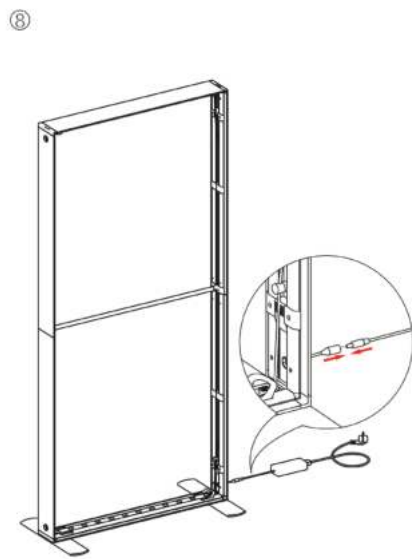
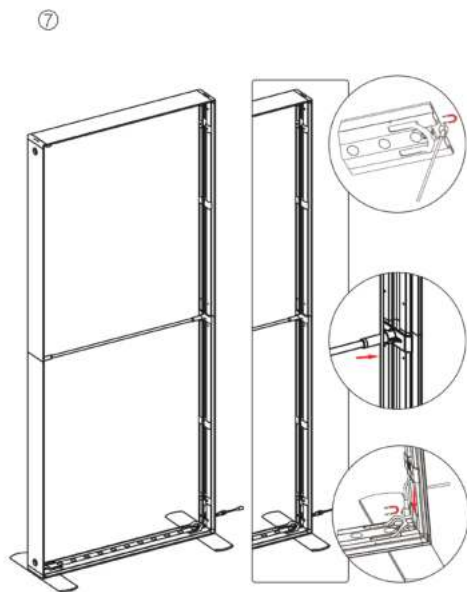
SET UP INSTRUCTIONS SEGO 100X225 FRAME ASSEMBLY



SEGO CONFIGURATION K

SEGO MODULAR LIGHTBOX DISPLAY

PRODUCT CODE:SEGO-K-10x10G



SEGO CONFIGURATION K

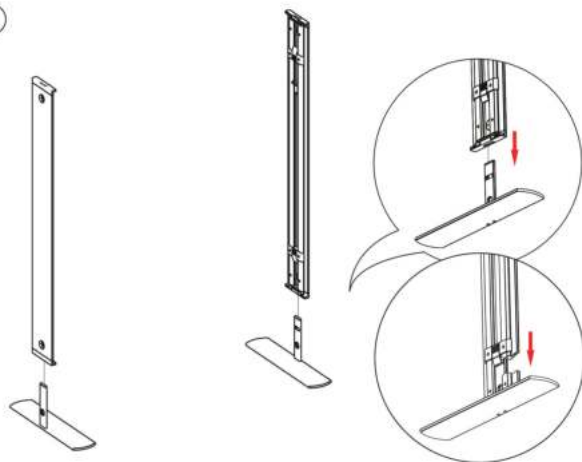
SEGO MODULAR LIGHTBOX DISPLAY

PRODUCT CODE:SEGO-K-10x10G

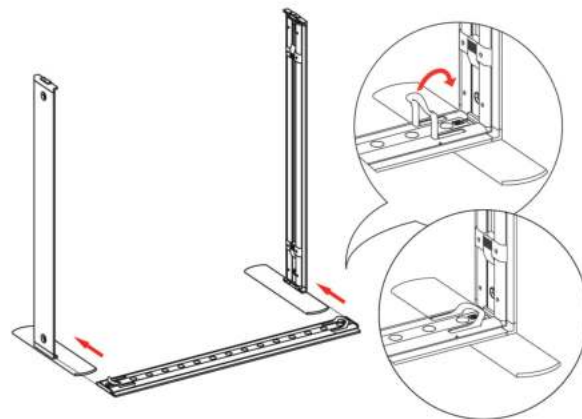
SET UP INSTRUCTIONS

COUNTER ASSEMBLY

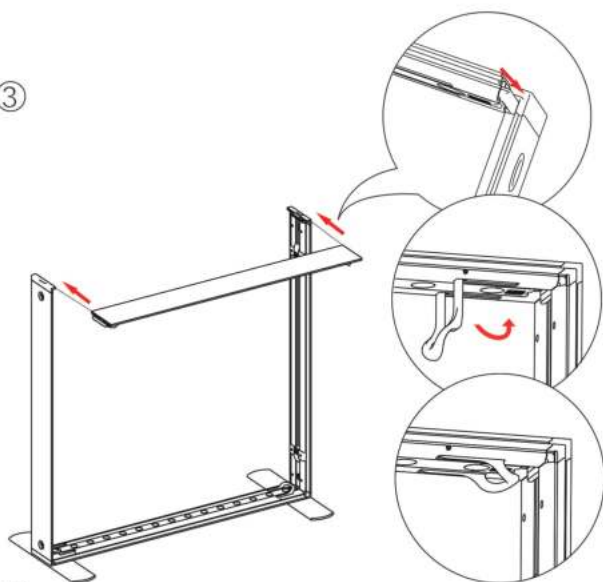
①



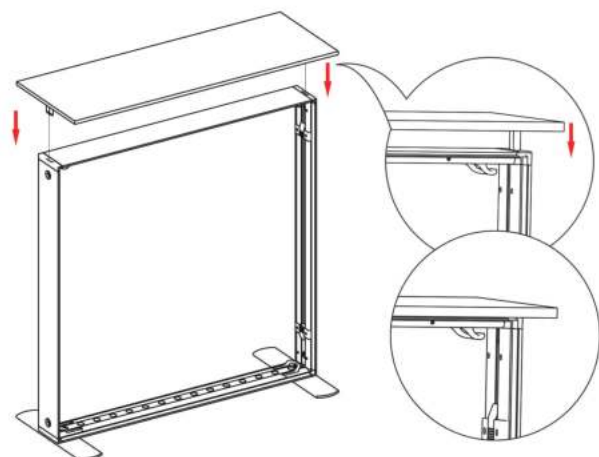
②



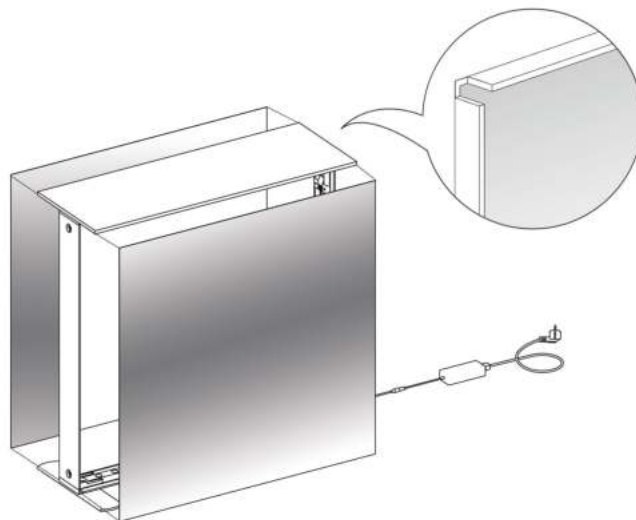
③



④



⑤

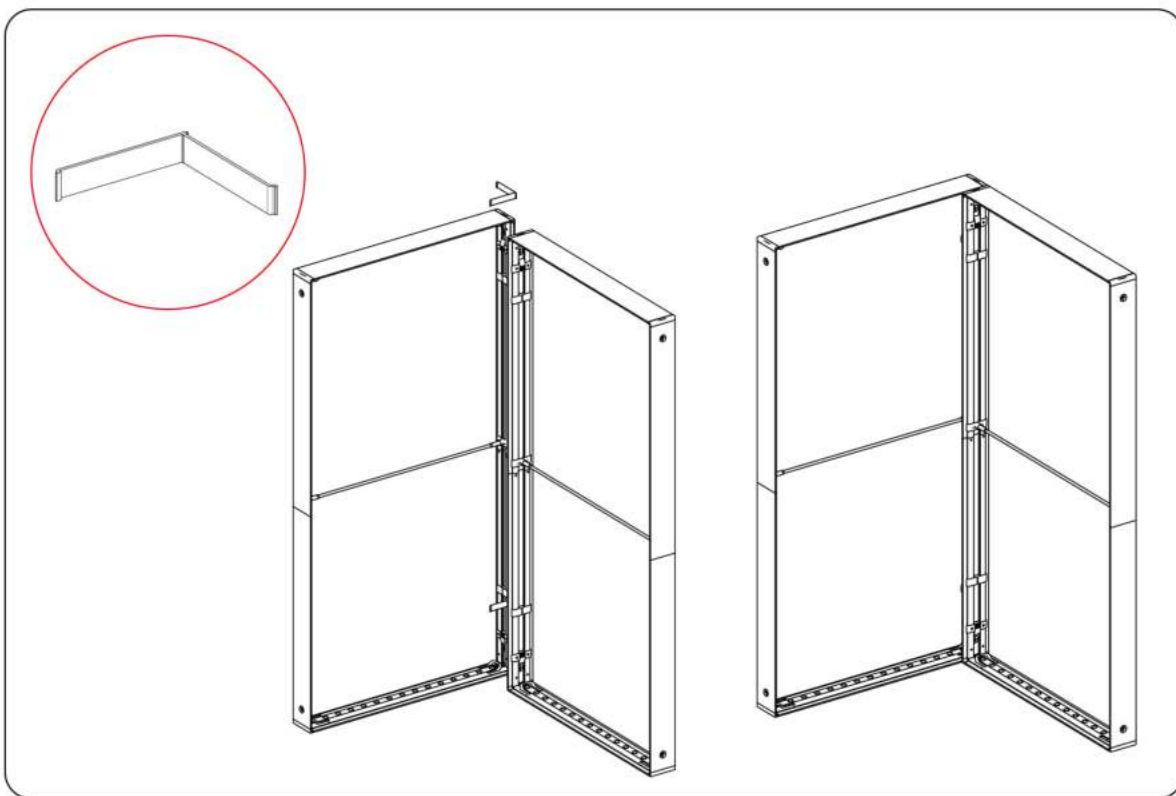


SEGO CONFIGURATION K

SEGO MODULAR LIGHTBOX DISPLAY

PRODUCT CODE:SEGO-K-10x10G

FRAME CONNECTION



SEGO CONFIGURATION K

SEGO MODULAR LIGHTBOX DISPLAY

PRODUCT CODE:SEGO-K-10x10G

