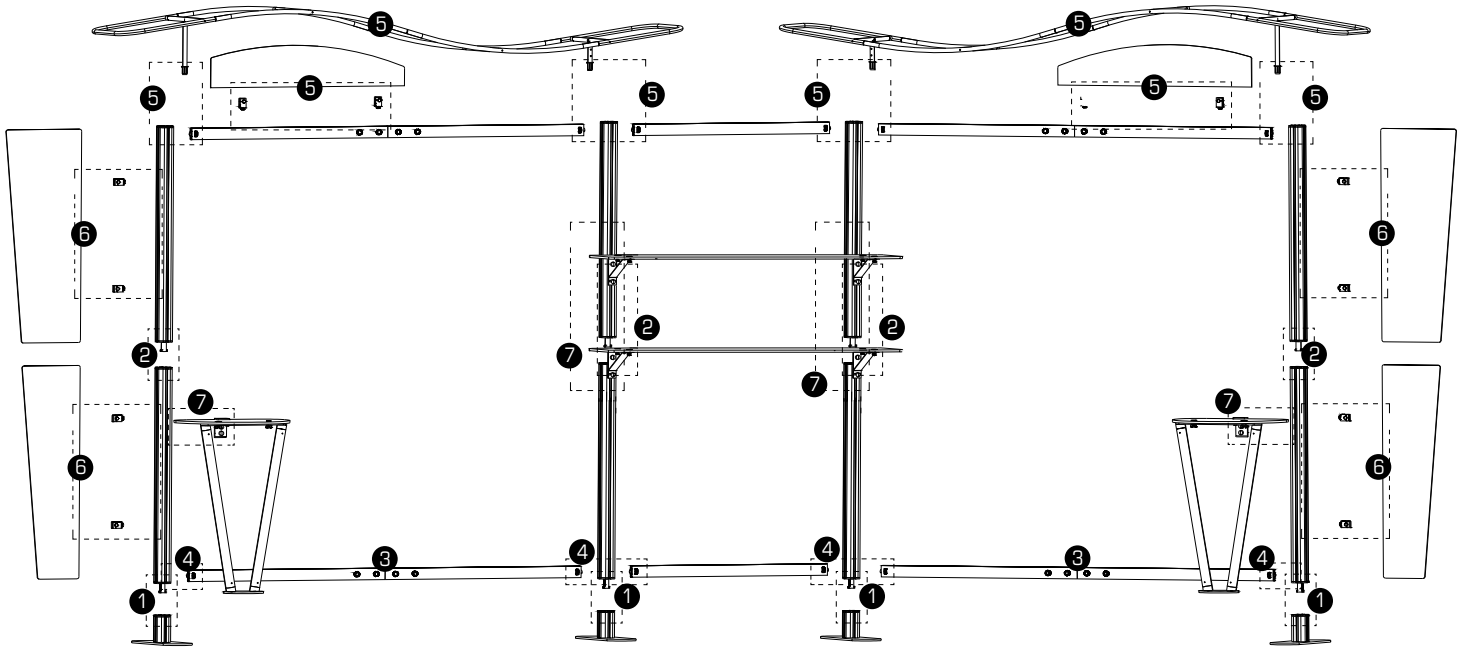
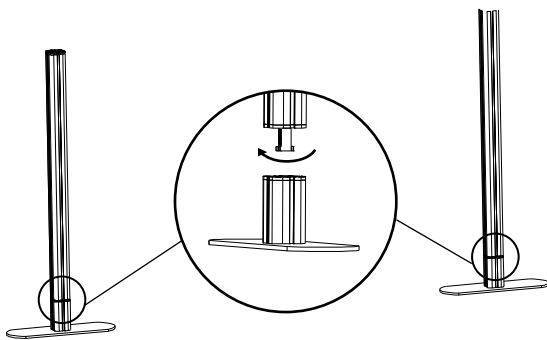


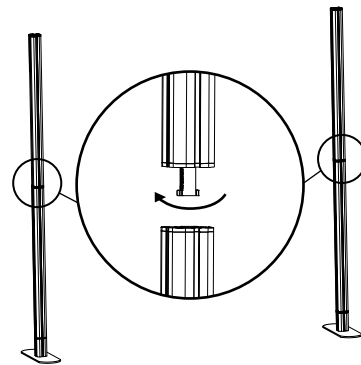
Frame Assembly



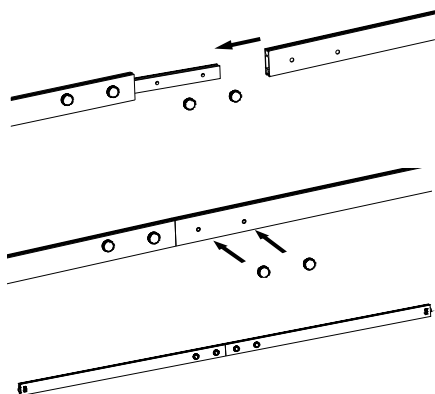
Key: Numbers [#] represents steps



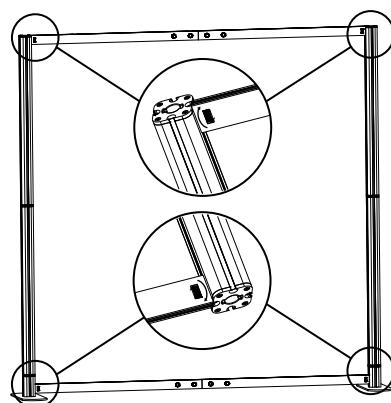
STEP 1



STEP 2



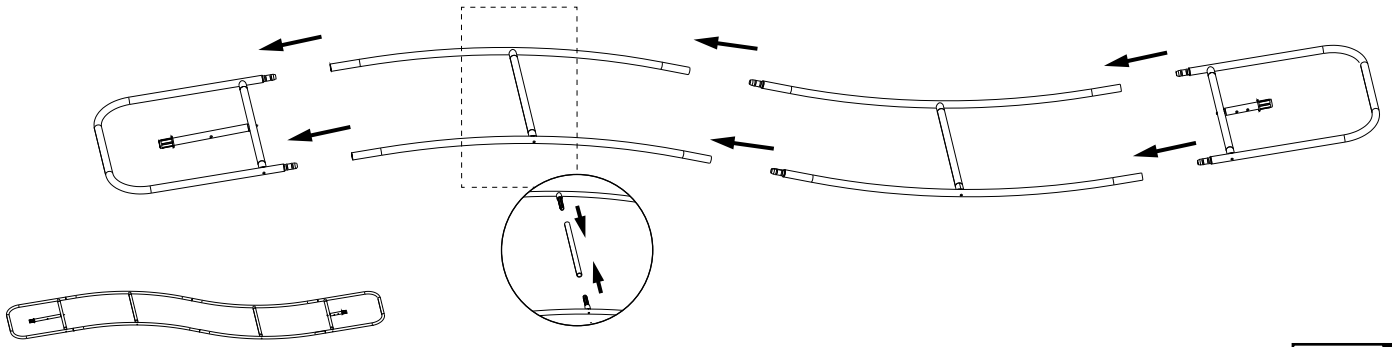
STEP 3



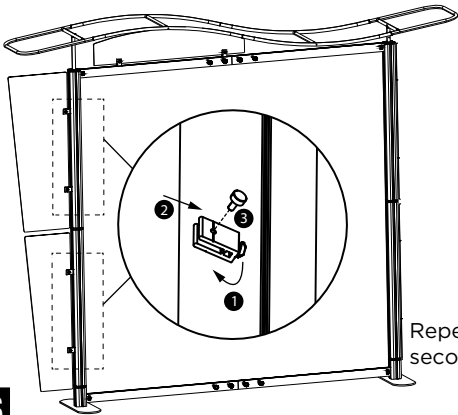
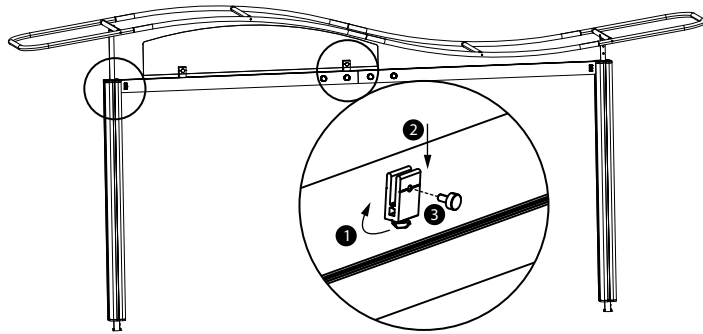
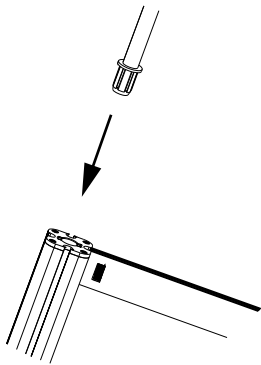
STEP 4

20 FT TAHOE TWISTLOCK INSTRUCTION

Arch Frame

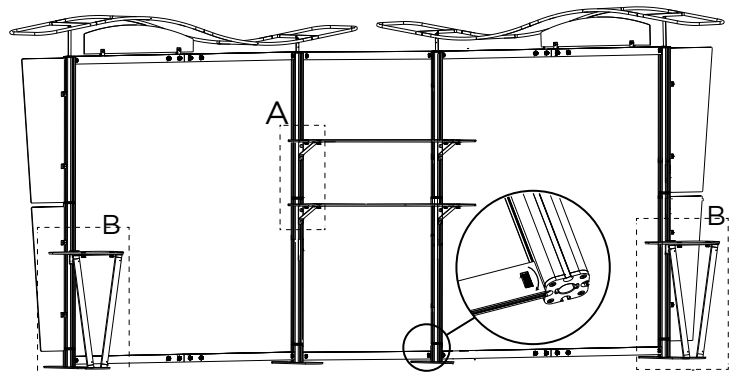


STEP 5



STEP 6

Repeat steps for second 10ft frame



STEP 7

Completed Display

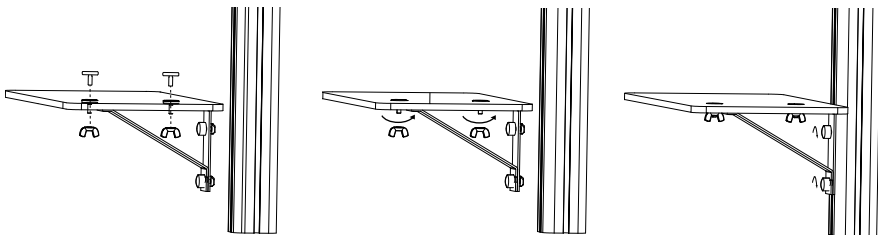


Table A

Table B

